

Protective cap - VS-PPC-F2-PC-POBK - 1405329

Please be informed that the data shown in this PDF Document is generated from our Online Catalog. Please find the complete data in the user's documentation. Our General Terms of Use for Downloads are valid (<http://phoenixcontact.com/download>)



Protective cap, IP65, with push-pull locking for covering the contact insert in the push-pull connector for Power, plastic


Protective cover

Product Description

Protective cap for Push-Pull connector, Power



Key Commercial Data

Packing unit	1 pc
GTIN	 4 046356 420426
GTIN	4046356420426
Weight per Piece (excluding packing)	1.000 g
Custom tariff number	85472000
Country of origin	Germany

Technical data

Dimensions

Width	36 mm
Height	25.2 mm
Length	25.8 mm

Ambient conditions

Ambient temperature (operation)	-40 °C ... 70 °C
---------------------------------	------------------

General data

Alternative short product description	Protective cap for push-pull connector
---------------------------------------	--

Protective cap - VS-PPC-F2-PC-POBK - 1405329

Technical data

General data

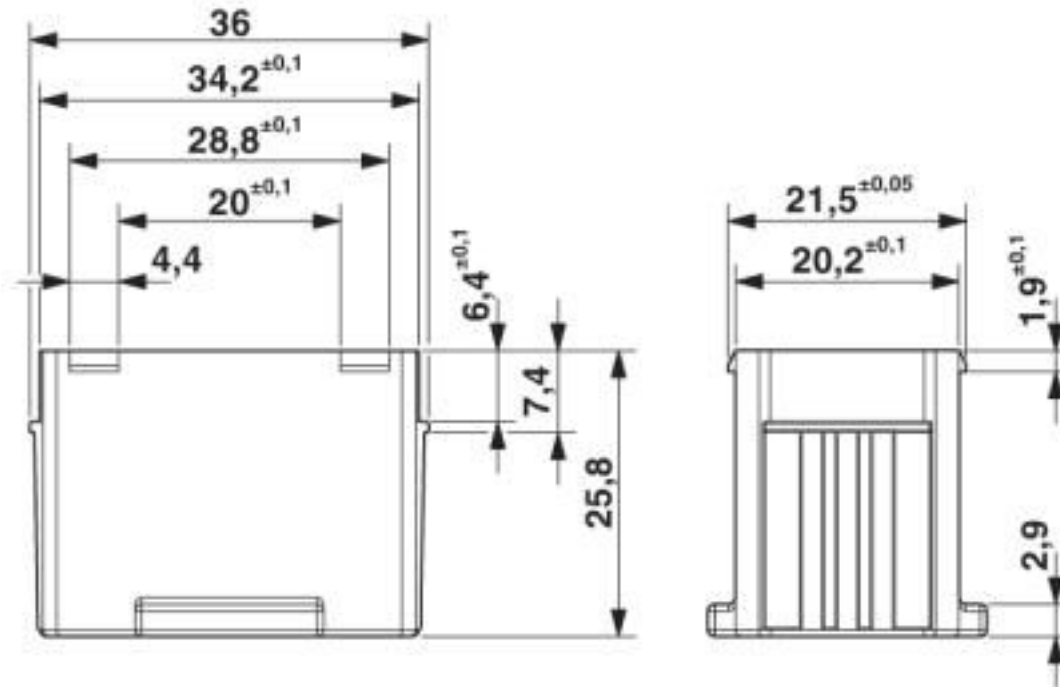
Locking type	Push Pull
Degree of protection	IP65

Environmental Product Compliance

China RoHS	Environmentally friendly use period: unlimited = EFUP-e
	No hazardous substances above threshold values

Drawings

Dimensional drawing



Classifications

eCl@ss

eCl@ss 10.0.1	27440208
eCl@ss 4.0	27260700
eCl@ss 4.1	27260700
eCl@ss 5.0	27260700
eCl@ss 5.1	27260700
eCl@ss 6.0	27261200

Protective cap - VS-PPC-F2-PC-POBK - 1405329

Classifications

eCl@ss

eCl@ss 7.0	27440208
eCl@ss 8.0	27440208
eCl@ss 9.0	27440208

ETIM

ETIM 3.0	EC000723
ETIM 4.0	EC002314
ETIM 5.0	EC002314
ETIM 6.0	EC002314
ETIM 7.0	EC002314

UNSPSC

UNSPSC 6.01	31261501
UNSPSC 7.0901	31261501
UNSPSC 11	31261501
UNSPSC 12.01	31261501
UNSPSC 13.2	39121421
UNSPSC 18.0	39121421
UNSPSC 19.0	39121421
UNSPSC 20.0	39121421
UNSPSC 21.0	39121421

Approvals


Approvals

Approvals

EAC

Ex Approvals

Approval details

EAC		B.01742
-----	---	---------

