

Panel mounting frames - EV-T2SF - 1405218

Please be informed that the data shown in this PDF Document is generated from our Online Catalog. Please find the complete data in the user's documentation. Our General Terms of Use for Downloads are valid (<http://phoenixcontact.com/download>)



Panel mounting frames, For attaching to infrastructure charging sockets, Type 2, IEC 62196-2, Front mounting, M5 thread, Generation 1, Without logo

Product Description


Panel mounting frame for Socket Outlet

Your advantages

Certified in accordance with IATF 16949:2016 and ISO 9001:2015



Key Commercial Data

Packing unit	1 pc
GTIN	 4 046356 738514
GTIN	4046356738514
Weight per Piece (excluding packing)	60.000 g
Custom tariff number	39269097
Country of origin	Germany

Technical data

Product definition

Application	For attaching to infrastructure charging sockets
Affixed logo	Without logo
Design	Generation 1
Standards/regulations	IEC 62196-2
Charging standard	Type 2
Charging mode	Mode 3, Case B

Panel mounting frames - EV-T2SF - 1405218

Technical data

Dimensions

Height	76.8 mm
Width	76.6 mm
Depth	13.4 mm
Bore dimensions	60 mm x 60 mm

Ambient conditions

Ambient temperature (operation)	-30 °C ... 50 °C
Ambient temperature (storage/transport)	-40 °C ... 80 °C

Mounting

Possible mounting positions	Front mounting
	Rear screw connection
Required mounting screws	M5 thread

Design

Design line	Generation 1
Housing color	black
Customer variations	On request

Material

Material	Plastic
----------	---------

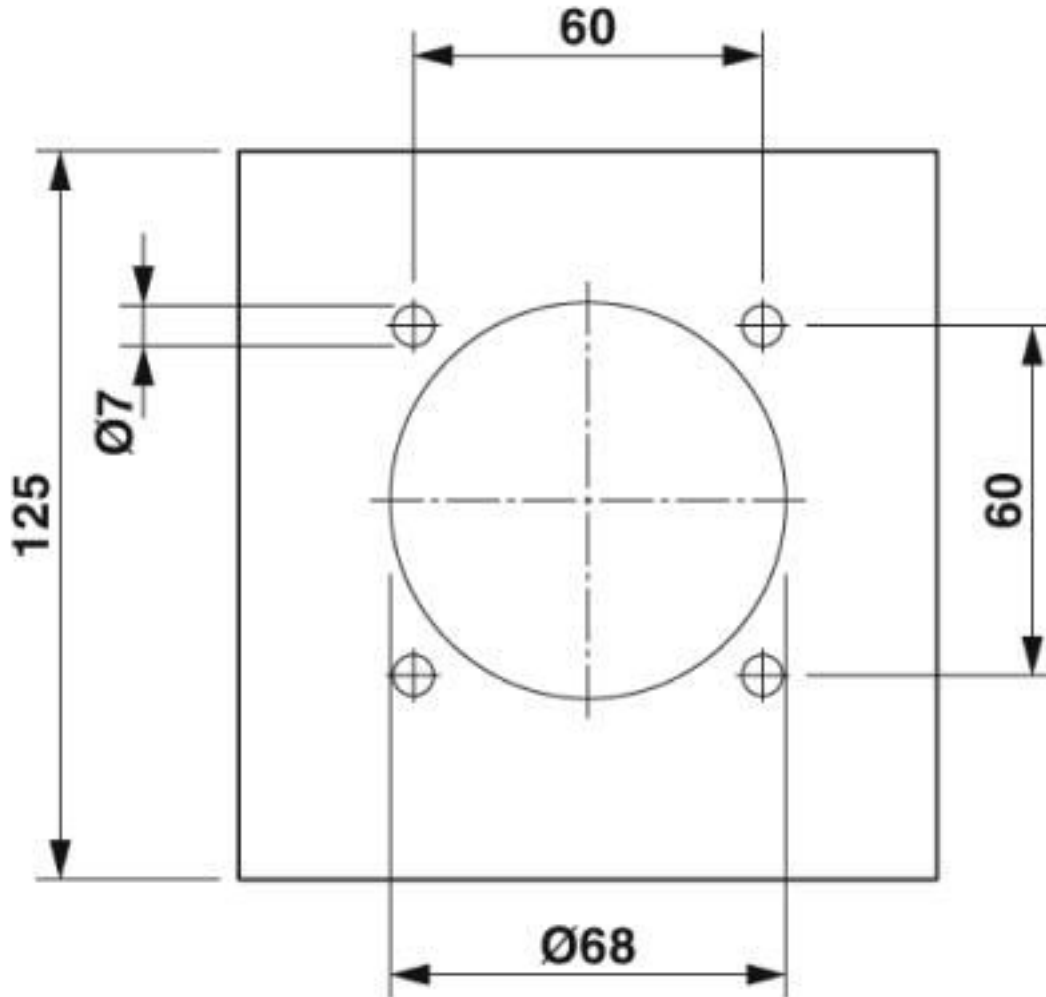
Environmental Product Compliance

China RoHS	Environmentally friendly use period: unlimited = EFUP-e
	No hazardous substances above threshold values

Drawings

Panel mounting frames - EV-T2SF - 1405218

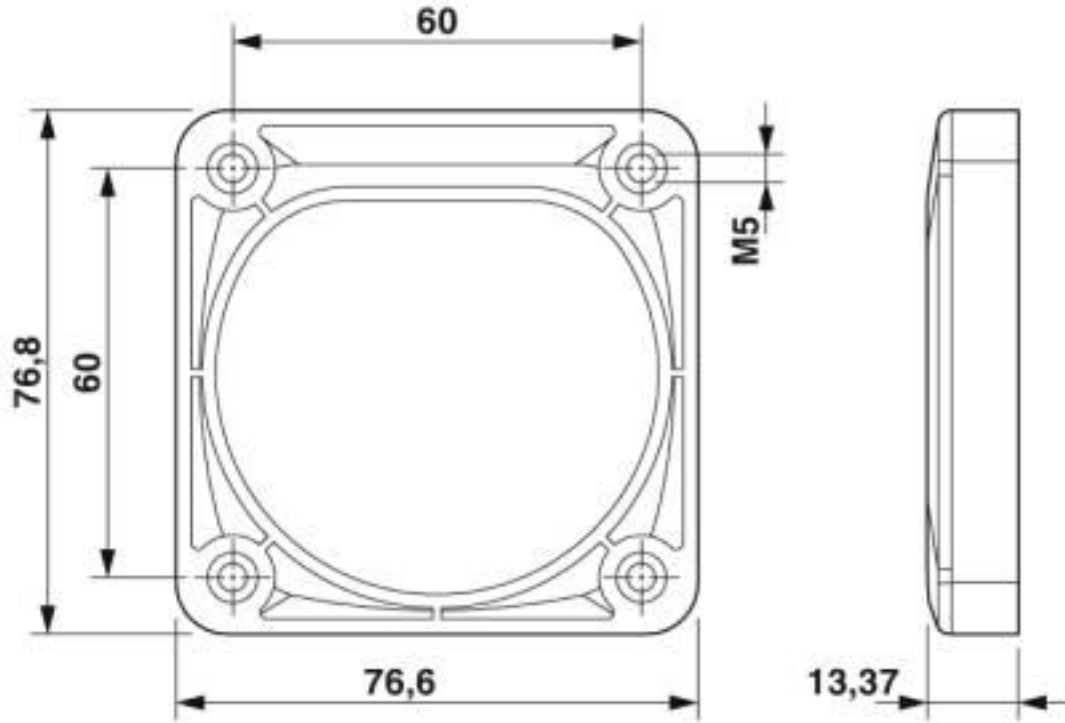
Dimensional drawing



Hole image

Panel mounting frames - EV-T2SF - 1405218

Dimensional drawing



Dimensional drawing

Classifications

eCl@ss

eCl@ss 10.0.1	27144792
eCl@ss 4.0	27141200
eCl@ss 4.1	27141200
eCl@ss 5.0	27149100
eCl@ss 5.1	27149100
eCl@ss 6.0	27261200
eCl@ss 7.0	27440208
eCl@ss 8.0	27440208
eCl@ss 9.0	27144792

ETIM

ETIM 2.0	EC000241
ETIM 3.0	EC002061
ETIM 4.0	EC002061

Panel mounting frames - EV-T2SF - 1405218

Classifications

ETIM

ETIM 5.0	EC002314
ETIM 6.0	EC002884
ETIM 7.0	EC002884

UNSPSC

UNSPSC 6.01	30211923
UNSPSC 7.0901	39121522
UNSPSC 11	39121522
UNSPSC 12.01	39121522
UNSPSC 13.2	39121522
UNSPSC 18.0	39121522
UNSPSC 19.0	39121522
UNSPSC 20.0	39121522
UNSPSC 21.0	39121522

Accessories

Accessories

Infrastructure socket outlet

Socket Outlet - EV-T2M3SE12-3AC32A-0,7M6,0E10 - 1405214



Socket Outlet, Rear protective cover screw connection, For charging electric vehicles (EV) with alternating current (AC), Compatible with infrastructure charging plugs, Type 2, IEC 62196-2, 32 A / 480 V (AC), Single wires, length: 0.7 m, Locking actuator: 12 V, 4-position, Rear panel mounting, Generation 1, "PHOENIX CONTACT" logo

Socket Outlet - EV-T2M3SE24-3AC32A-0,7M6,0E10 - 1405216



Socket Outlet, Rear protective cover screw connection, For charging electric vehicles (EV) with alternating current (AC), Compatible with infrastructure charging plugs, Type 2, IEC 62196-2, 32 A / 480 V (AC), Single wires, length: 0.7 m, Locking actuator: 24 V, 4-position, Rear panel mounting, Generation 1, "PHOENIX CONTACT" logo