

Protective covers - EV-T2SC - 1405217

Please be informed that the data shown in this PDF Document is generated from our Online Catalog. Please find the complete data in the user's documentation. Our General Terms of Use for Downloads are valid (<http://phoenixcontact.com/download>)



Protective covers, Self-closing, Rear protective cover screw connection, For attaching to infrastructure charging sockets, Type 2, IEC 62196-2, Front mounting, M5 thread, Generation 1, Embossed PHOENIX CONTACT logo

Product Description

Self-closing protective cover for infrastructure socket outlet

Your advantages

- ✓ Certified in accordance with IATF 16949:2016 and ISO 9001:2015
- ✓ Individual branding, thanks to the use your own logo
- ✓ Reliable protection of your socket outlet from weather and vandalism

Key Commercial Data

| | |
|--------------------------------------|---------------|
| Packing unit | 1 pc |
| GTIN | |
| GTIN | 4046356738507 |
| Weight per Piece (excluding packing) | 120.000 g |
| Custom tariff number | 39269097 |
| Country of origin | Germany |

Technical data

Product definition

| | |
|--------------|--|
| Type | Self-closing |
| | Rear protective cover screw connection |
| Application | For attaching to infrastructure charging sockets |
| Affixed logo | Embossed PHOENIX CONTACT logo |
| Design | Generation 1 |

Protective covers - EV-T2SC - 1405217

Technical data

Product definition

| | |
|-----------------------|----------------|
| Standards/regulations | IEC 62196-2 |
| Charging standard | Type 2 |
| Charging mode | Mode 3, Case B |

Dimensions

| | |
|-----------------|---------------|
| Height | 93.7 mm |
| Width | 85 mm |
| Depth | 32.5 mm |
| Bore dimensions | 60 mm x 60 mm |

Ambient conditions

| | |
|---|------------------|
| Ambient temperature (operation) | -30 °C ... 50 °C |
| Ambient temperature (storage/transport) | -40 °C ... 80 °C |
| Degree of protection | IP54 |
| Degree of protection (IK) | IK08 |

Mounting

| | |
|-----------------------------|-----------------------|
| Possible mounting positions | Front mounting |
| | Rear screw connection |
| Required mounting screws | M5 thread |

Design

| | |
|---------------------|--------------|
| Design line | Generation 1 |
| Housing color | black |
| Customer variations | On request |

Material

| | |
|----------|---------|
| Material | Plastic |
|----------|---------|

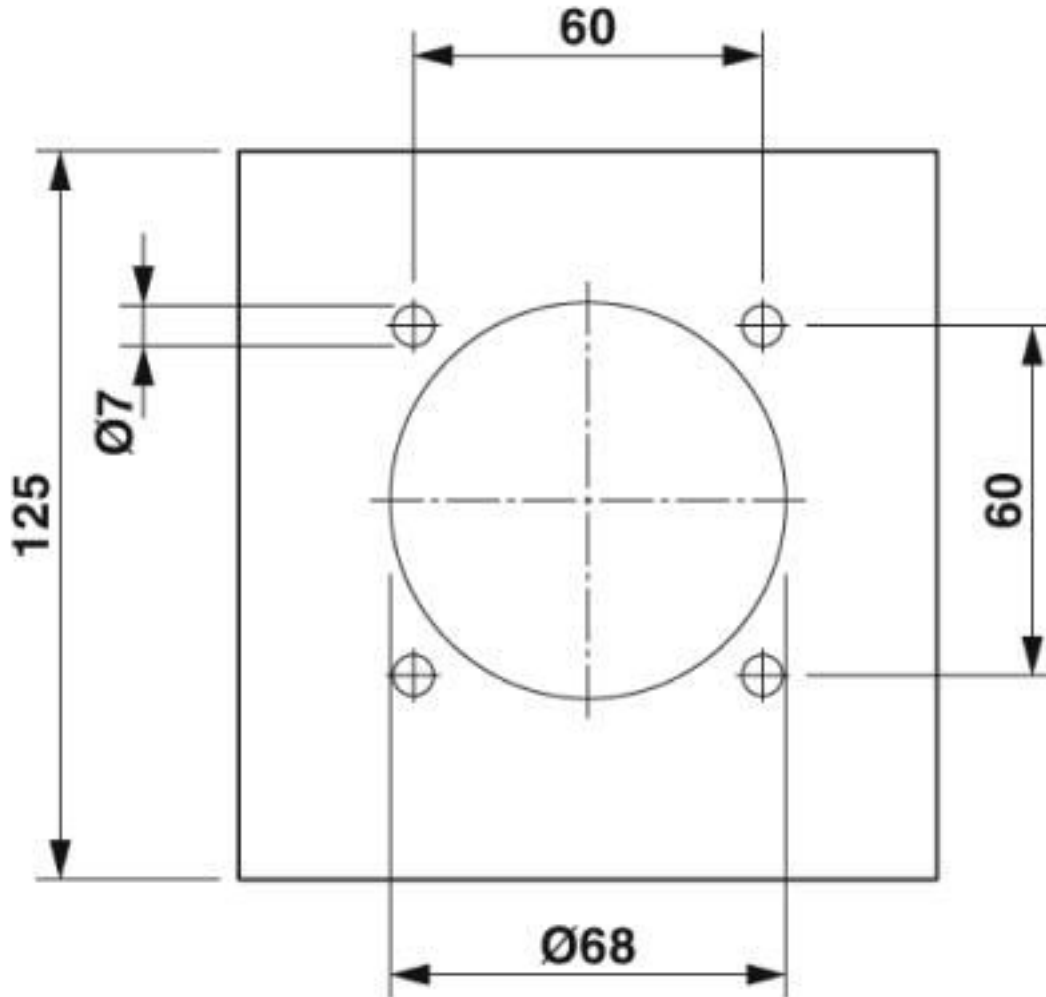
Environmental Product Compliance

| | |
|------------|---|
| REACH SVHC | Lead 7439-92-1 |
| China RoHS | Environmentally friendly use period: unlimited = EFUP-e |
| | No hazardous substances above threshold values |

Drawings

Protective covers - EV-T2SC - 1405217

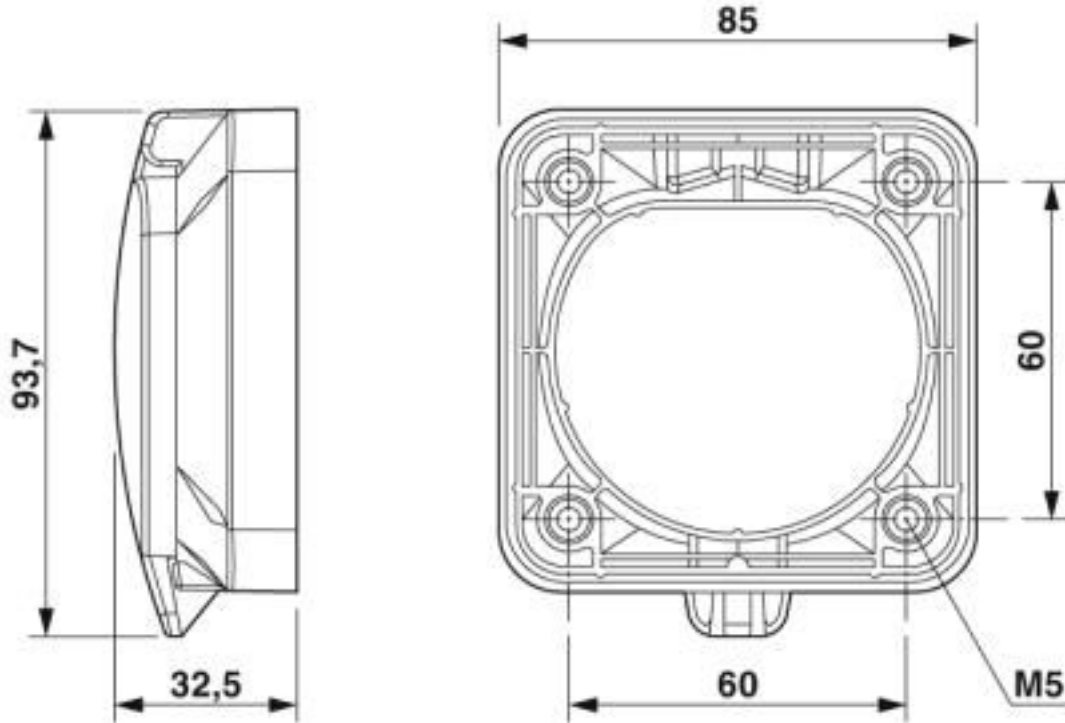
Dimensional drawing



Hole image

Protective covers - EV-T2SC - 1405217

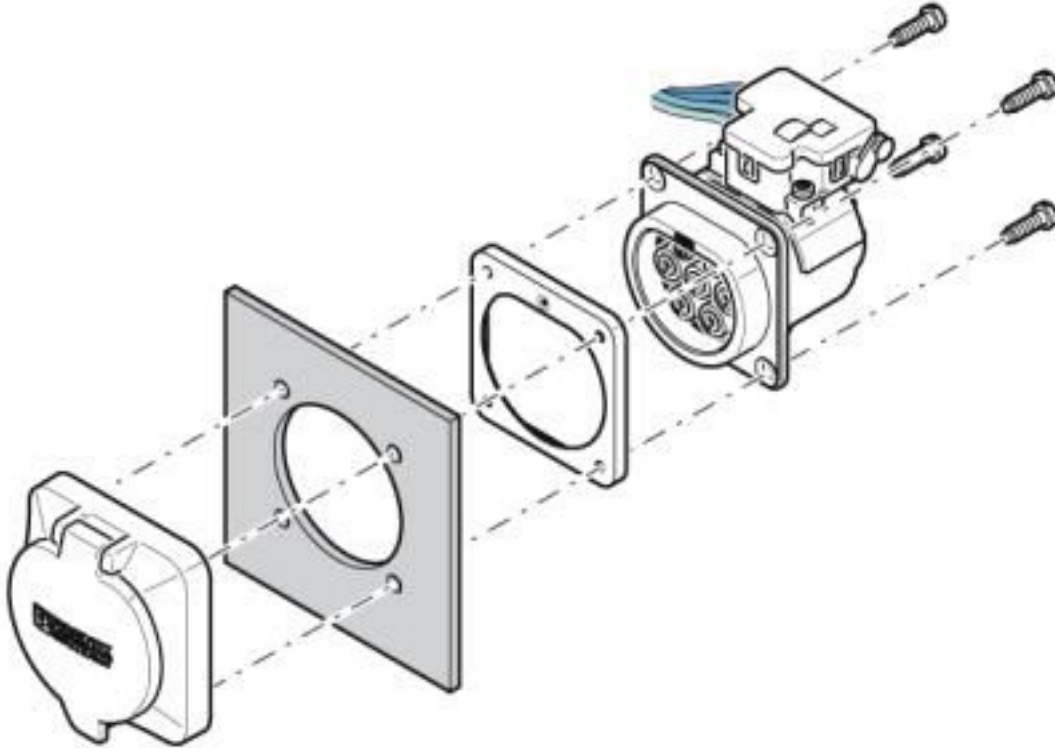
Dimensional drawing



Dimensional drawing

Protective covers - EV-T2SC - 1405217

Schematic diagram

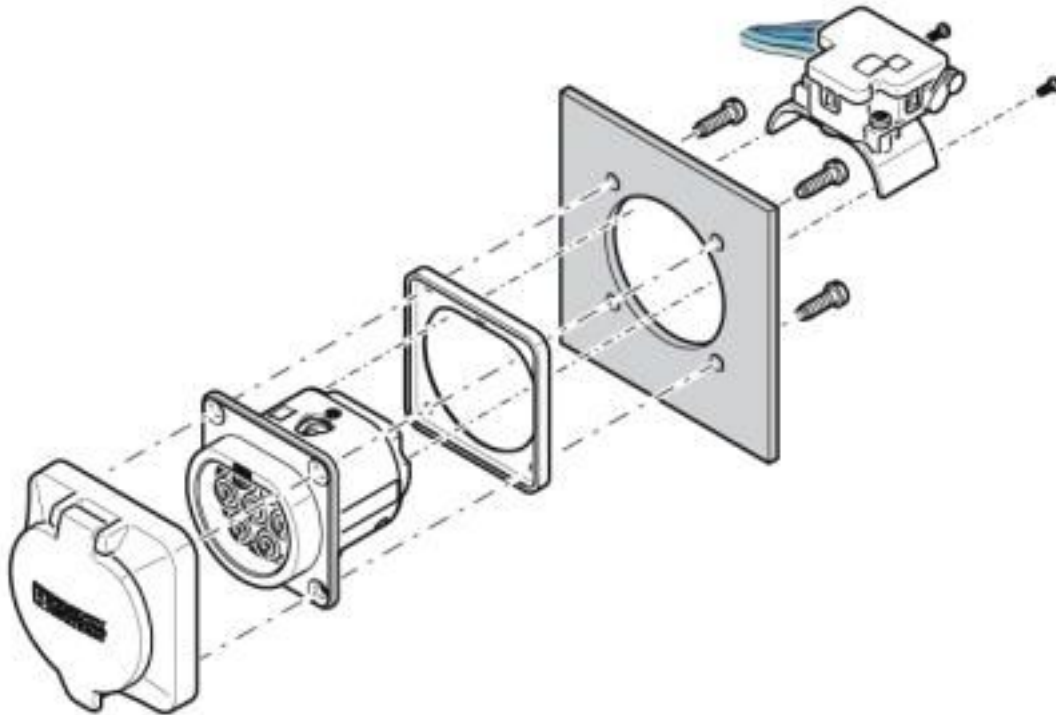


Rear mounting with rear protective cover screw connection

The screw connection for a protective cover from the accessories range (EV-T2SC) only supports rear mounting. The panel thickness must not exceed 5 mm. The sealing frame that is slid on from the rear must contact the housing panel flush with the flat side and must completely surround the infrastructure socket outlet.

Protective covers - EV-T2SC - 1405217

Schematic diagram



Front mounting with rear protective cover screw connection

Front mounting is only possible when the locking actuator is removed. We recommend using an infrastructure socket outlet without pre-assembled locking actuator (EV-T2M3SE-...E0..., e.g., 1621729).

The screw connection for a protective cover from the accessories range (EV-T2SC) only supports rear mounting. The panel thickness must not exceed 10 mm. The sealing frame that is slid on from the front must contact the housing panel flush with the flat side and must completely surround the infrastructure socket outlet.

Classifications

eCl@ss

| | |
|---------------|----------|
| eCl@ss 10.0.1 | 27144792 |
| eCl@ss 4.0 | 27141200 |
| eCl@ss 4.1 | 27141200 |
| eCl@ss 5.0 | 27149100 |
| eCl@ss 5.1 | 27149100 |
| eCl@ss 6.0 | 27261200 |
| eCl@ss 7.0 | 27440208 |
| eCl@ss 8.0 | 27440208 |
| eCl@ss 9.0 | 27144792 |

Protective covers - EV-T2SC - 1405217

Classifications

ETIM

| | |
|----------|----------|
| ETIM 2.0 | EC000241 |
| ETIM 3.0 | EC002061 |
| ETIM 4.0 | EC002061 |
| ETIM 5.0 | EC002314 |
| ETIM 6.0 | EC002884 |
| ETIM 7.0 | EC002884 |

UNSPSC

| | |
|---------------|----------|
| UNSPSC 6.01 | 30211923 |
| UNSPSC 7.0901 | 39121522 |
| UNSPSC 11 | 39121522 |
| UNSPSC 12.01 | 39121522 |
| UNSPSC 13.2 | 39121522 |
| UNSPSC 18.0 | 39121522 |
| UNSPSC 19.0 | 39121522 |
| UNSPSC 20.0 | 39121522 |
| UNSPSC 21.0 | 39121522 |

Accessories

Accessories

Infrastructure socket outlet

Socket Outlet - EV-T2M3SE12-3AC32A-0,7M6,0E10 - 1405214



Socket Outlet, Rear protective cover screw connection, For charging electric vehicles (EV) with alternating current (AC), Compatible with infrastructure charging plugs, Type 2, IEC 62196-2, 32 A / 480 V (AC), Single wires, length: 0.7 m, Locking actuator: 12 V, 4-position, Rear panel mounting, Generation 1, "PHOENIX CONTACT" logo

Socket Outlet - EV-T2M3SE24-3AC32A-0,7M6,0E10 - 1405216



Socket Outlet, Rear protective cover screw connection, For charging electric vehicles (EV) with alternating current (AC), Compatible with infrastructure charging plugs, Type 2, IEC 62196-2, 32 A / 480 V (AC), Single wires, length: 0.7 m, Locking actuator: 24 V, 4-position, Rear panel mounting, Generation 1, "PHOENIX CONTACT" logo

