

## Fiber optic coupling - VS-PPC-J-1-SCRJ-MNBK - 1405206

Please be informed that the data shown in this PDF Document is generated from our Online Catalog. Please find the complete data in the user's documentation. Our General Terms of Use for Downloads are valid (<http://phoenixcontact.com/download>)


SC-RJ push-pull coupling, IP67, metal, with protective cover, color: nickel-plated



SCRJ push-pull coupling



### Key Commercial Data

|                                      |                                                                                                         |
|--------------------------------------|---------------------------------------------------------------------------------------------------------|
| Packing unit                         | 1 pc                                                                                                    |
| GTIN                                 | <br>4 046356 332804 |
| GTIN                                 | 4046356332804                                                                                           |
| Weight per Piece (excluding packing) | 120.000 g                                                                                               |
| Custom tariff number                 | 85366990                                                                                                |
| Country of origin                    | Germany                                                                                                 |

### Technical data

#### Mechanical characteristics

|                             |           |
|-----------------------------|-----------|
| Connection method           | Push-Pull |
| Insertion/withdrawal cycles | ≥ 100     |
| Cable outlet                | straight  |
| Weight                      | 115.7 g   |

#### Ambient conditions

|                                         |                  |
|-----------------------------------------|------------------|
| Ambient temperature (operation)         | -40 °C ... 85 °C |
| Ambient temperature (assembly)          | 0 °C ... 50 °C   |
| Ambient temperature (storage/transport) | -40 °C ... 85 °C |

#### Material data

|                  |               |
|------------------|---------------|
| Housing material | Zinc die-cast |
|------------------|---------------|

# Fiber optic coupling - VS-PPC-J-1-SCRJ-MNBK - 1405206

## Technical data

### Electrical characteristics

|                     |                                |
|---------------------|--------------------------------|
| Number of positions | 2                              |
| Attenuation         | 0.2 dB (acc. to IEC 61300-3-4) |

### Standards and Regulations

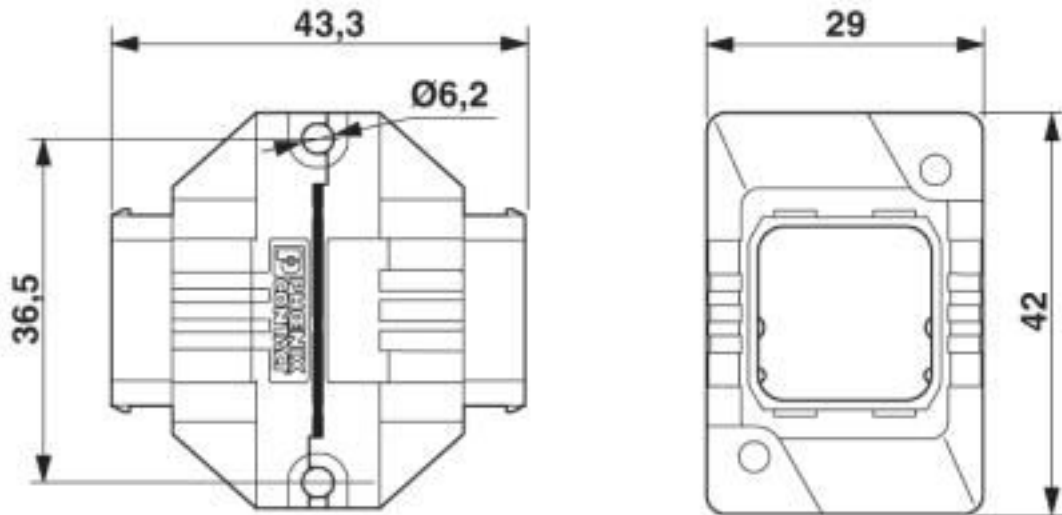
|                   |     |
|-------------------|-----|
| Flame resistance  | yes |
| Resistance to oil | yes |

### Environmental Product Compliance

|            |                                                                                                     |
|------------|-----------------------------------------------------------------------------------------------------|
| REACH SVHC | Lead 7439-92-1                                                                                      |
| China RoHS | Environmentally Friendly Use Period = 50 years                                                      |
|            | For details about hazardous substances go to tab "Downloads", Category "Manufacturer's declaration" |

## Drawings

Dimensional drawing



SCRJ push-pull coupling

## Classifications

eCl@ss

|               |          |
|---------------|----------|
| eCl@ss 10.0.1 | 19179290 |
| eCl@ss 4.0    | 27260700 |
| eCl@ss 4.1    | 27260700 |
| eCl@ss 5.0    | 27260700 |

## Fiber optic coupling - VS-PPC-J-1-SCRJ-MNBK - 1405206

### Classifications

#### eCl@ss

|            |          |
|------------|----------|
| eCl@ss 5.1 | 27260700 |
| eCl@ss 6.0 | 19179200 |
| eCl@ss 7.0 | 19179290 |
| eCl@ss 8.0 | 19179290 |
| eCl@ss 9.0 | 19179290 |

#### ETIM

|          |          |
|----------|----------|
| ETIM 3.0 | EC001134 |
| ETIM 4.0 | EC001134 |
| ETIM 5.0 | EC001134 |
| ETIM 6.0 | EC000310 |
| ETIM 7.0 | EC000310 |

#### UNSPSC

|               |          |
|---------------|----------|
| UNSPSC 6.01   | 31261501 |
| UNSPSC 7.0901 | 31261501 |
| UNSPSC 11     | 31261501 |
| UNSPSC 12.01  | 31261501 |
| UNSPSC 13.2   | 43222604 |
| UNSPSC 18.0   | 43222604 |
| UNSPSC 19.0   | 43222604 |
| UNSPSC 20.0   | 43222604 |
| UNSPSC 21.0   | 43222604 |

### Approvals

#### Approvals

---

Approvals

UL Listed / EAC

---

Ex Approvals

---

#### Approval details

## Fiber optic coupling - VS-PPC-J-1-SCRJ-MNBK - 1405206

### Approvals

UL Listed



<http://database.ul.com/cgi-bin/XYVV/template/LISEXT/1FRAME/index.htm> E308814-20070105

EAC



B.01742