

RJ45 coupling - VS-PPC-J-1-RJ45-MNBK - 1405183

Please be informed that the data shown in this PDF Document is generated from our Online Catalog. Please find the complete data in the user's documentation. Our General Terms of Use for Downloads are valid (<http://phoenixcontact.com/download>)




RJ45 push-pull coupling, IP67, metal, CAT5e, with protective cover, color: Nickel-plated

RJ45 push-pull coupling



Key Commercial Data

Packing unit	1 pc
GTIN	 4 046356 332774
GTIN	4046356332774
Weight per Piece (excluding packing)	180.000 g
Custom tariff number	85366990
Country of origin	Germany

Technical data

Mechanical characteristics

Cable outlet	straight
Weight	201.5 g
Flammability rating according to UL 94	V0

Ambient conditions

Ambient temperature (operation)	-40 °C ... 70 °C
---------------------------------	------------------

Material data

Contact material	Copper alloy
Housing material	Zinc die-cast
Width	29 mm
Height	42 mm

RJ45 coupling - VS-PPC-J-1-RJ45-MNBK - 1405183

Technical data

Material data

Length	78.4 mm
--------	---------

Electrical characteristics

Rated current	1 A
---------------	-----

Standards and Regulations

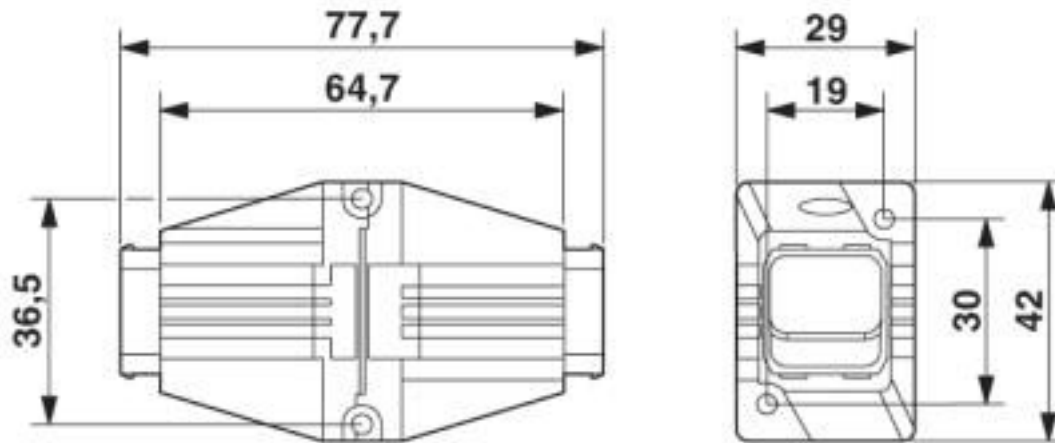
Flammability rating according to UL 94	V0
--	----

Environmental Product Compliance

REACH SVHC	Lead 7439-92-1
China RoHS	Environmentally Friendly Use Period = 50 years
	For details about hazardous substances go to tab "Downloads", Category "Manufacturer's declaration"

Drawings

Dimensional drawing



RJ45 push-pull coupling

Classifications

eCl@ss

eCl@ss 10.0.1	19179290
eCl@ss 4.0	27260700
eCl@ss 4.1	27260700
eCl@ss 5.0	27260700
eCl@ss 5.1	27260700

RJ45 coupling - VS-PPC-J-1-RJ45-MNBK - 1405183

Classifications

eCl@ss

eCl@ss 6.0	19179200
eCl@ss 7.0	19179290
eCl@ss 8.0	19179290
eCl@ss 9.0	19179290

ETIM

ETIM 3.0	EC001134
ETIM 4.0	EC001134
ETIM 5.0	EC001134
ETIM 6.0	EC000310
ETIM 7.0	EC000310

UNSPSC

UNSPSC 6.01	31261501
UNSPSC 7.0901	31261501
UNSPSC 11	31261501
UNSPSC 12.01	31261501
UNSPSC 13.2	43222604
UNSPSC 18.0	43222604
UNSPSC 19.0	43222604
UNSPSC 20.0	43222604
UNSPSC 21.0	43222604

Approvals


Approvals

Approvals

EAC

Ex Approvals

Approval details

EAC		B.01687
-----	---	---------

