

Connector component - VS-A-F-PLATE-USB-A - 1405044


Please be informed that the data shown in this PDF Document is generated from our Online Catalog. Please find the complete data in the user's documentation. Our General Terms of Use for Downloads are valid (<http://phoenixcontact.com/download>)



USB push-through protection for VS-USB-A panel mounting frame



Key Commercial Data

Packing unit	1
GTIN	 4 046356 293518
GTIN	4046356293518
Custom tariff number	39269097

Technical data

Mechanical characteristics

Weight	0.544 g
--------	---------

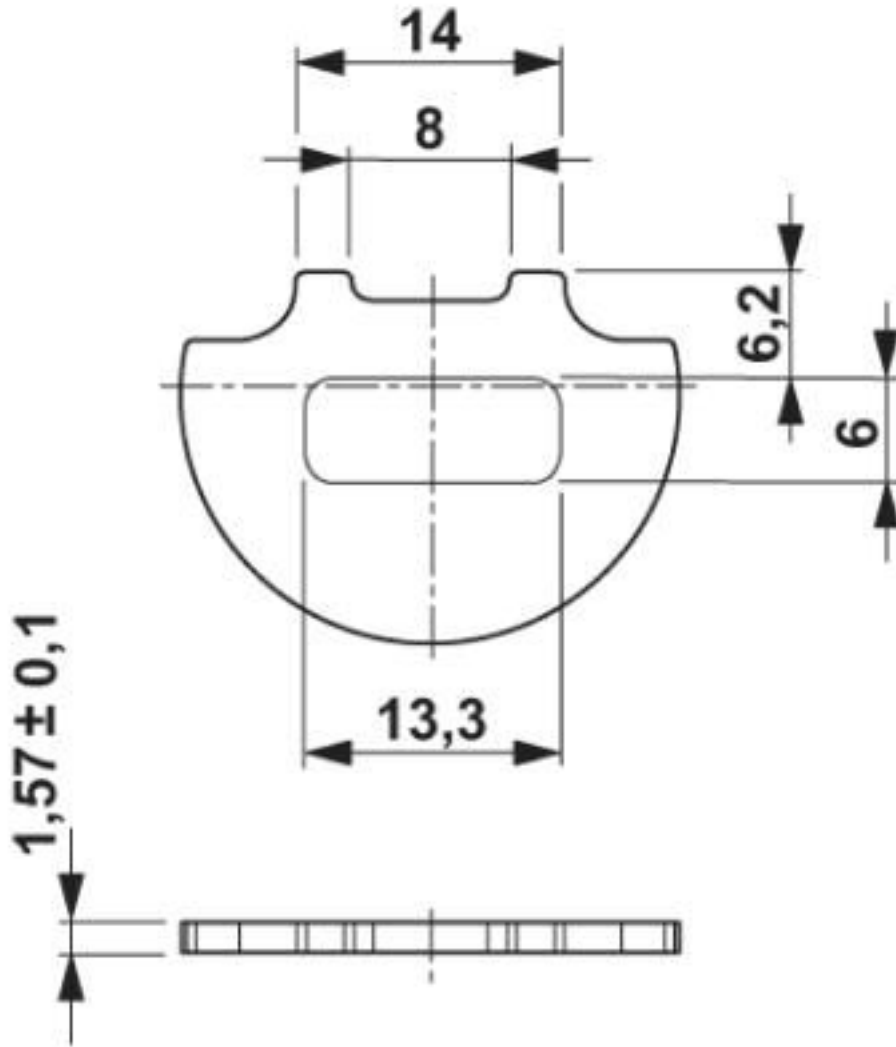
Environmental Product Compliance

China RoHS	Environmentally friendly use period: unlimited = EFUP-e
	No hazardous substances above threshold values

Drawings

Connector component - VS-A-F-PLATE-USB-A - 1405044

Dimensional drawing



Classifications

eCl@ss

eCl@ss 10.0.1	27060311
eCl@ss 4.0	27260700
eCl@ss 4.1	27260700
eCl@ss 5.0	27182300
eCl@ss 5.1	27182300
eCl@ss 6.0	27279200
eCl@ss 7.0	27279218

Connector component - VS-A-F-PLATE-USB-A - 1405044

Classifications

eCl@ss

eCl@ss 9.0	27060311
------------	----------

ETIM

ETIM 3.0	EC000754
ETIM 4.0	EC002529
ETIM 5.0	EC002529
ETIM 6.0	EC001855
ETIM 7.0	EC001855

UNSPSC

UNSPSC 6.01	31261501
UNSPSC 7.0901	31261501
UNSPSC 11	31261501
UNSPSC 12.01	31261501
UNSPSC 13.2	31261501
UNSPSC 19.0	31251501
UNSPSC 20.0	31251501
UNSPSC 21.0	31251501

Approvals

Approvals

Approvals

EAC

Ex Approvals

Approval details

EAC		B.01742
-----	--	---------