

Flat nut - SACC-M16-NUT-VA - 1404983


Please be informed that the data shown in this PDF Document is generated from our Online Catalog. Please find the complete data in the user's documentation. Our General Terms of Use for Downloads are valid (<http://phoenixcontact.com/download>)

Flat nut with M16 thread



RoHS

Key Commercial Data

| | |
|--------------------------------------|---|
| Packing unit | 1 pc |
| Minimum order quantity | 10 pc |
| GTIN |  4 046356 740777 |
| GTIN | 4046356740777 |
| Weight per Piece (excluding packing) | 2.000 g |
| Custom tariff number | 73181639 |
| Country of origin | Germany |

Technical data

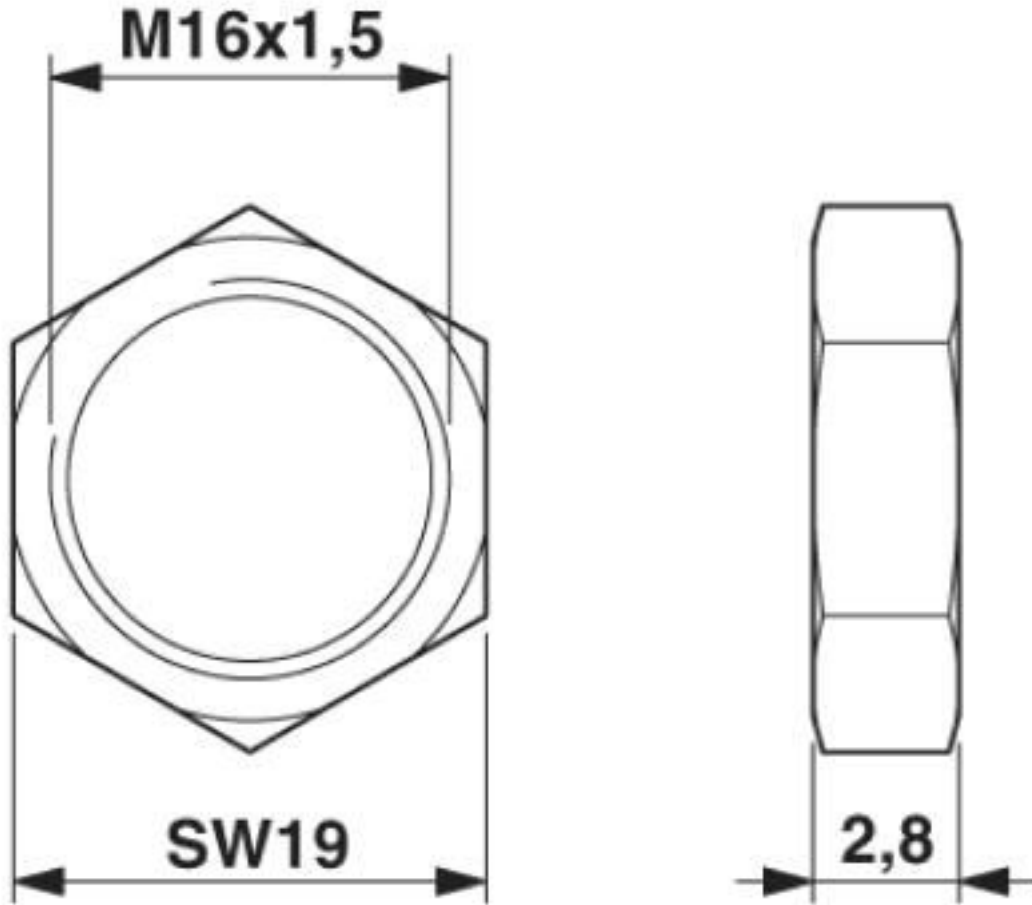
Environmental Product Compliance

| | |
|------------|---|
| China RoHS | Environmentally Friendly Use Period = 50 years |
| | For details about hazardous substances go to tab "Downloads", Category "Manufacturer's declaration" |

Drawings

Flat nut - SACC-M16-NUT-VA - 1404983

Dimensional drawing



Flat nut M16

Classifications

eCl@ss

| | |
|---------------|----------|
| eCl@ss 10.0.1 | 23119212 |
| eCl@ss 4.0 | 27140800 |
| eCl@ss 4.1 | 27140800 |
| eCl@ss 5.0 | 27143400 |
| eCl@ss 5.1 | 27143400 |
| eCl@ss 6.0 | 27143400 |
| eCl@ss 7.0 | 23119212 |
| eCl@ss 8.0 | 23119212 |

Flat nut - SACC-M16-NUT-VA - 1404983

Classifications

eCl@ss

| | |
|------------|----------|
| eCl@ss 9.0 | 23119212 |
|------------|----------|

ETIM

| | |
|----------|----------|
| ETIM 3.0 | EC000129 |
| ETIM 4.0 | EC002498 |
| ETIM 5.0 | EC000129 |
| ETIM 6.0 | EC000129 |
| ETIM 7.0 | EC000129 |

UNSPSC

| | |
|---------------|----------|
| UNSPSC 6.01 | 31251501 |
| UNSPSC 7.0901 | 31251501 |
| UNSPSC 11 | 31251501 |
| UNSPSC 12.01 | 31251501 |
| UNSPSC 13.2 | 31161727 |
| UNSPSC 18.0 | 31161727 |
| UNSPSC 19.0 | 31161727 |
| UNSPSC 20.0 | 31161727 |
| UNSPSC 21.0 | 31161727 |

Approvals

Approvals

Approvals

EAC

Ex Approvals

Approval details

| | | |
|-----|---|---------|
| EAC |  | B.01687 |
|-----|---|---------|