


Connector component - VS-PPC-C1-PC-ROBK - 1404773

Please be informed that the data shown in this PDF Document is generated from our Online Catalog. Please find the complete data in the user's documentation. Our General Terms of Use for Downloads are valid (<http://phoenixcontact.com/download>)

Sealing plug for push-pull panel mounting frame, data (VS-PPC-F1...), IP54 degree of protection



Key Commercial Data

Packing unit	1 pc
GTIN	 4 046356 316262
GTIN	4046356316262
Weight per Piece (excluding packing)	6.700 g
Custom tariff number	39269097
Country of origin	Germany

Technical data

Mechanical characteristics

Weight	6.6 g
--------	-------

Material data

Width	20 mm
Height	20 mm
Length	19.5 mm

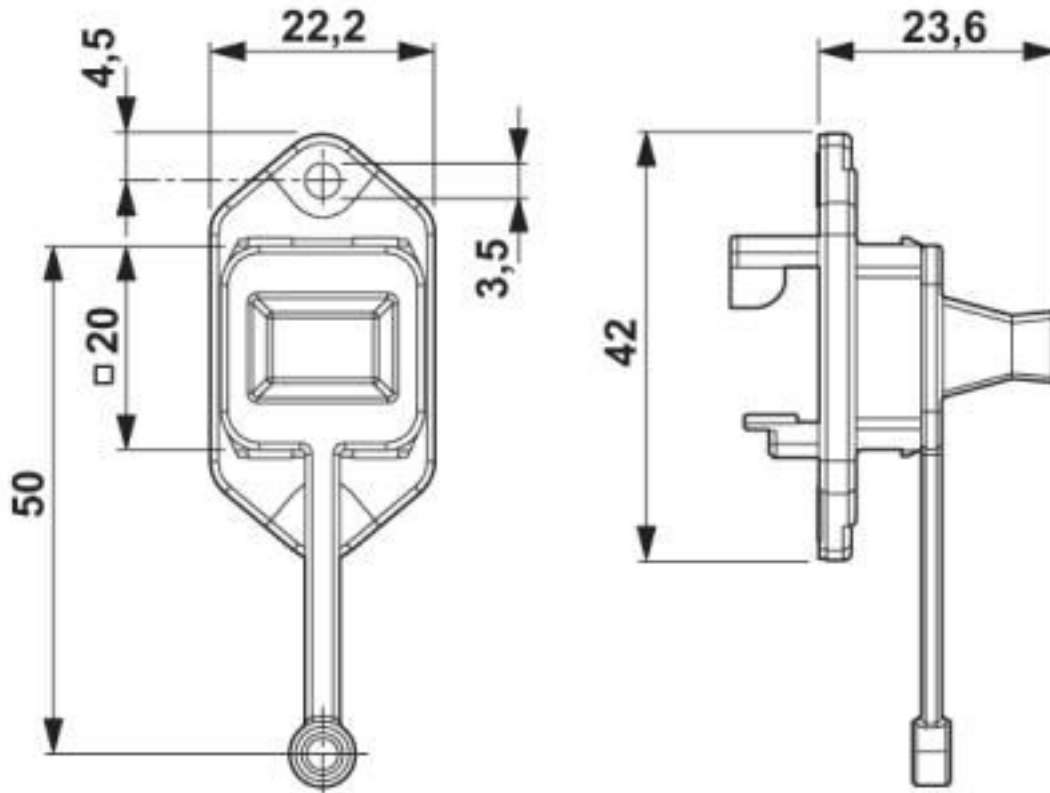
Environmental Product Compliance

REACH SVHC	Lead 7439-92-1
China RoHS	Environmentally Friendly Use Period = 50 years
	For details about hazardous substances go to tab "Downloads", Category "Manufacturer's declaration"

Connector component - VS-PPC-C1-PC-ROBK - 1404773

Drawings

Dimensional drawing



Sealing plug for push-pull panel mounting frame

Classifications

eCl@ss

eCl@ss 4.0	27260700
eCl@ss 4.1	27260700
eCl@ss 5.0	27260700
eCl@ss 5.1	27260700
eCl@ss 6.0	27379200
eCl@ss 7.0	27379218
eCl@ss 8.0	27379218
eCl@ss 9.0	27379218

Connector component - VS-PPC-C1-PC-ROBK - 1404773

Classifications

ETIM

ETIM 3.0	EC002040
ETIM 4.0	EC002040
ETIM 5.0	EC002040
ETIM 6.0	EC002040
ETIM 7.0	EC002040

UNSPSC

UNSPSC 6.01	31261501
UNSPSC 7.0901	31261501
UNSPSC 11	31261501
UNSPSC 12.01	31261501
UNSPSC 13.2	31261501
UNSPSC 18.0	31261501
UNSPSC 19.0	31261501
UNSPSC 20.0	31261501
UNSPSC 21.0	31261501

Approvals


Approvals

Approvals

EAC

Ex Approvals

Approval details

EAC		B.01687
-----	---	---------