

## Panel mounting frames - VS-PPC-F1-RJ45-POBK-1RF-BU/BU - 1404760


Please be informed that the data shown in this PDF Document is generated from our Online Catalog. Please find the complete data in the user's documentation. Our General Terms of Use for Downloads are valid (<http://phoenixcontact.com/download>)



RJ45 panel mounting frame, IP67, for push-pull interlocking, for rectangular mounting section, with grommet, without fixing screws, plastic, with RJ45 contact insert, 8-pos., shielded, socket on socket, CAT5e, Freenet system



### Key Commercial Data

Packing unit	1 pc
GTIN	 4 046356 320849
GTIN	4046356320849
Weight per Piece (excluding packing)	21.000 g
Custom tariff number	85366990
Country of origin	Germany

### Technical data

#### Mechanical characteristics

Overvoltage category	I
Degree of pollution	1
Weight	19.8 g
Flammability rating according to UL 94	V0

#### Ambient conditions

Ambient temperature (operation)	-20 °C ... 70 °C
Ambient temperature (assembly)	-10 °C ... 60 °C
Ambient temperature (storage/transport)	-40 °C ... 70 °C

#### Material data

Contact surface material	Au/Ni
--------------------------	-------

## Panel mounting frames - VS-PPC-F1-RJ45-POBK-1RF-BU/BU - 1404760

### Technical data

#### Material data

Housing material	PA-GF
Width	29.5 mm
Height	42 mm
Length	63.2 mm

#### Electrical characteristics

Number of positions	8
Transmission characteristics (category)	CAT5 (IEC 11801:2002)
GRP transmission properties	CAT5 (IEC 11801:2002)
Rated current	1 A
Overvoltage category	I
Degree of pollution	1
Rated voltage (III/3)	72 V (DC)
Insulation resistance	≥ 500 MΩ
Resistance	500 MΩ
Rated current	1 A

#### Standards and Regulations

Flammability rating according to UL 94	V0
--	----

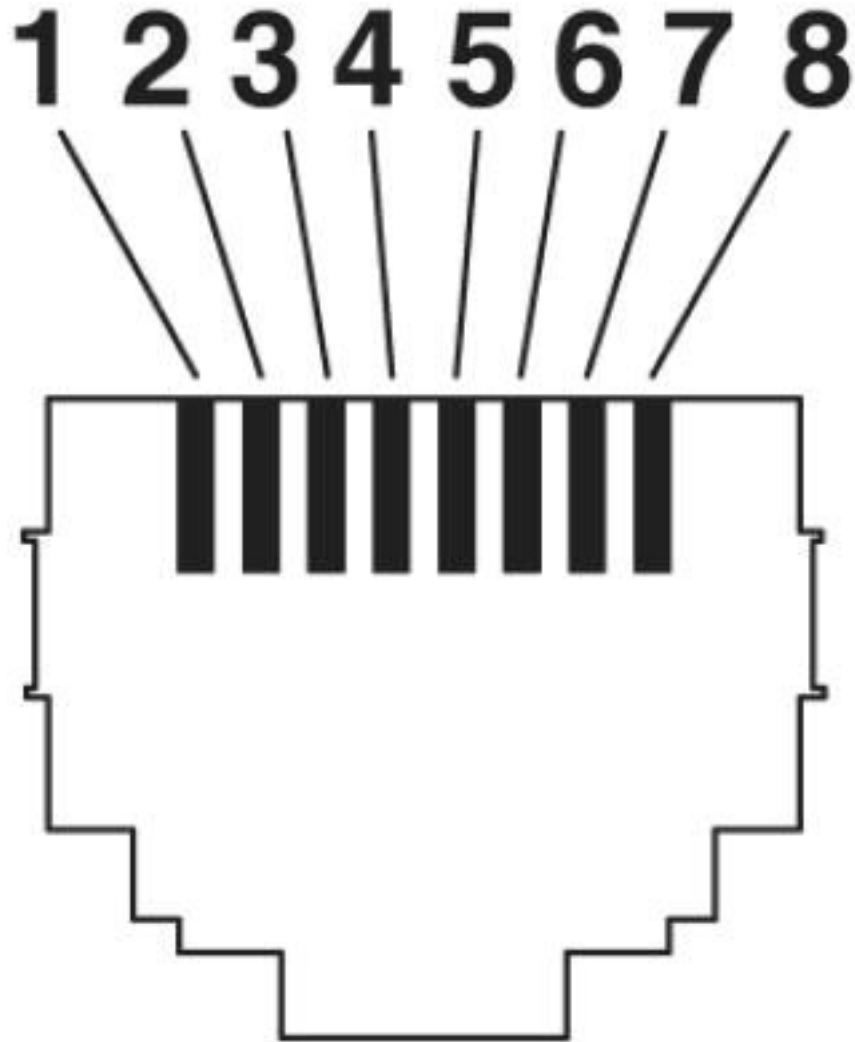
#### Environmental Product Compliance

China RoHS	For details about hazardous substances go to tab "Downloads", Category "Manufacturer's declaration"
------------	---

### Drawings

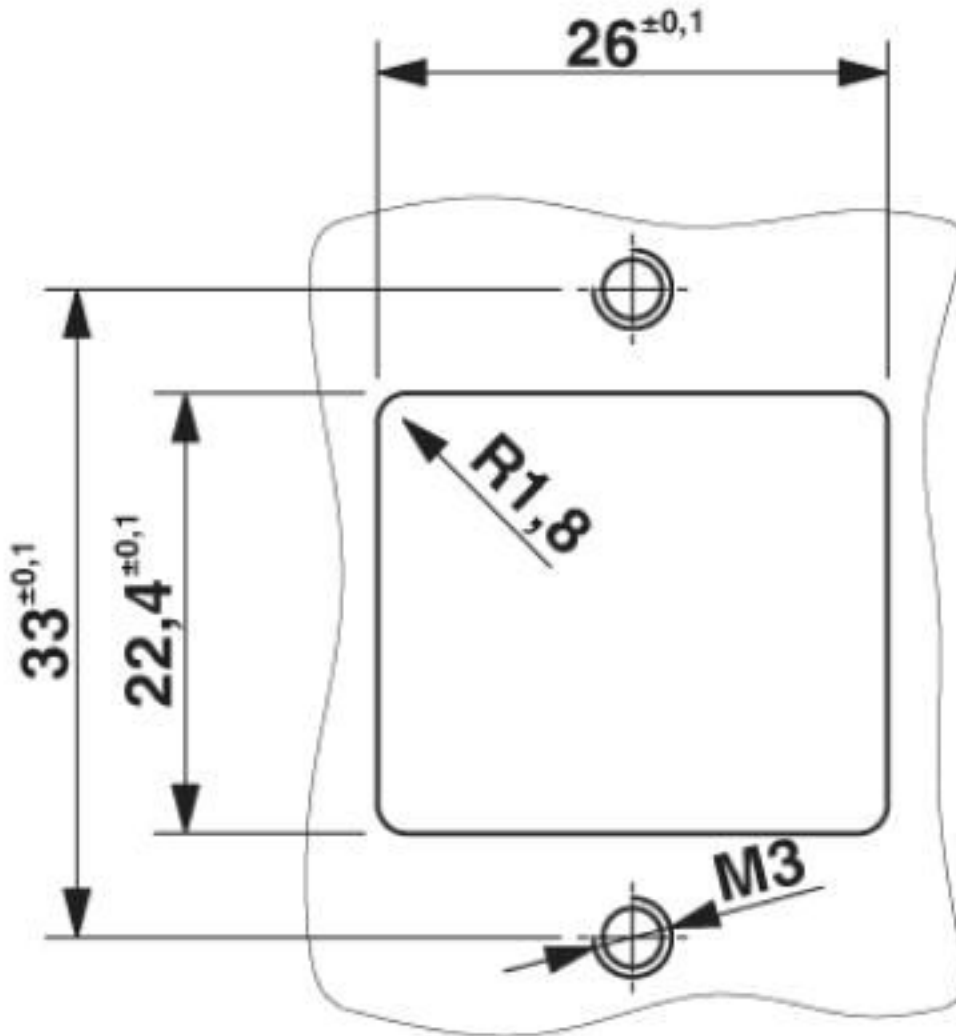
# Panel mounting frames - VS-PPC-F1-RJ45-POBK-1RF-BU/BU - 1404760

Schematic diagram



# Panel mounting frames - VS-PPC-F1-RJ45-POBK-1RF-BU/BU - 1404760

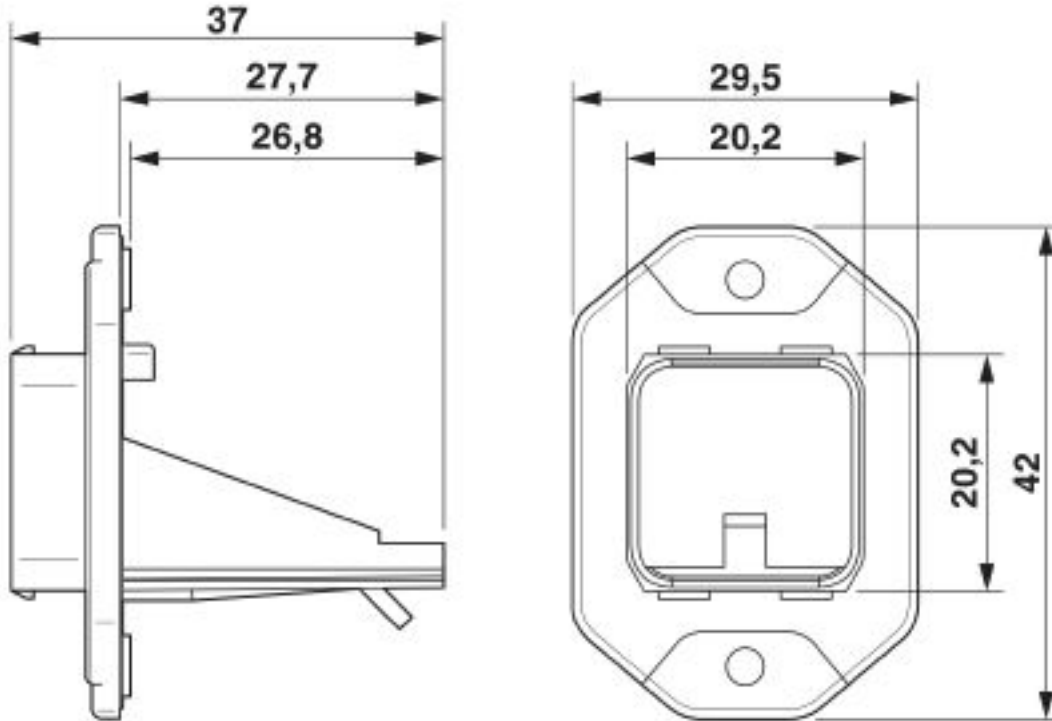
Dimensional drawing



Mounting cutout

# Panel mounting frames - VS-PPC-F1-RJ45-POBK-1RF-BU/BU - 1404760

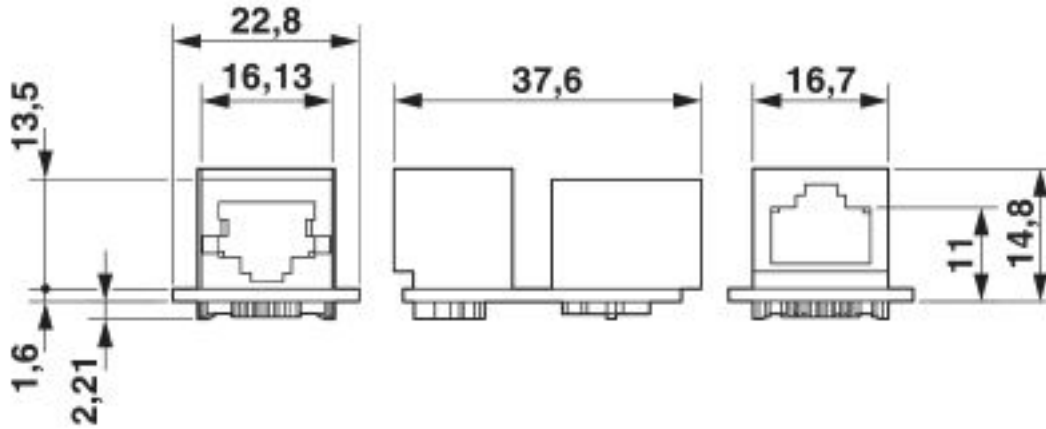
Dimensional drawing



Push-Pull panel mounting frame, Freenet system, IP67

# Panel mounting frames - VS-PPC-F1-RJ45-POBK-1RF-BU/BU - 1404760

Dimensional drawing



RJ45 socket insert, Freenet system

## Classifications

eCl@ss

eCl@ss 10.0.1	27440210
eCl@ss 4.0	27260700
eCl@ss 4.1	27260700
eCl@ss 5.0	27260700
eCl@ss 5.1	27260700
eCl@ss 6.0	27261200
eCl@ss 7.0	27440210
eCl@ss 8.0	27440210
eCl@ss 9.0	27440210

ETIM

ETIM 3.0	EC001121
ETIM 4.0	EC001121
ETIM 5.0	EC002310
ETIM 6.0	EC002310
ETIM 7.0	EC002310

# Panel mounting frames - VS-PPC-F1-RJ45-POBK-1RF-BU/BU - 1404760

## Classifications

### UNSPSC

UNSPSC 6.01	31261501
UNSPSC 7.0901	31261501
UNSPSC 11	31261501
UNSPSC 12.01	31261501
UNSPSC 13.2	39121421
UNSPSC 18.0	39121421
UNSPSC 19.0	39121421
UNSPSC 20.0	39121421
UNSPSC 21.0	39121421

## Approvals

### Approvals

---

Approvals


EAC

---

Ex Approvals

---

### Approval details

EAC		B.01742
-----	---	---------

---