

Flush-type socket - SACC-DSI-FSX-8CON-PG9-L180 SCO - 1404741

Please be informed that the data shown in this PDF Document is generated from our Online Catalog. Please find the complete data in the user's documentation. Our General Terms of Use for Downloads are valid (<http://phoenixcontact.com/download>)



CAT6_A flush-type socket, Ethernet, one-piece, 8-pos., M12-SPEEDCON, rear/screw mounting with Pg9 fastening thread, with straight solder connection


M12 panel feed-through, rear mounting

Your advantages

- ✓ Easy PCB assembly: one-piece connectors for wave soldering
- ✓ All standard pin assignments and codings for signal, data, and power transmission with a uniform design-in design
- ✓ For high transmission reliability: optional shield connection to the housing by means of shield contact



Key Commercial Data

Packing unit	1 pc
Minimum order quantity	20 pc
GTIN	 4 046356 737029
GTIN	4046356737029
Weight per Piece (excluding packing)	30.000 g
Custom tariff number	85366990
Country of origin	Germany

Technical data

Ambient conditions

Degree of protection	IP67 (When plugged in)
Ambient temperature (operation)	-40 °C ... 85 °C

General data

Note	The electrical and mechanical data specified assume that the connector pair is correctly locked and mounted. If the connector is unlocked and if
------	--------------------------------------------------------------------------------------------------------------------------------------------------

Flush-type socket - SACC-DSI-FSX-8CON-PG9-L180 SCO - 1404741

Technical data

General data

	there is a danger of contamination, the connector must be sealed using a protective cap > IP54. Influences arising from litz wires, cables or PCB assembly must also be taken into consideration.
Rated current at 40°C	0.5 A (Data)
Rated voltage	50 V AC
	60 V DC
Rated surge voltage	0.8 kV
Number of positions	8
Signal type/category	Ethernet CAT6 _A
Standards/regulations	M12 connector IEC 61076-2-109
Overvoltage category	III
Degree of pollution	3
Alternative short product description	Ethernet flush-type socket
Connection method	Solder-in connection
Contact material	CuZn
Contact carrier material	PPA
Contact surface material	gold-plated
Degree of protection	IP67, when plugged in
Transmission characteristics (category)	CAT6 _A

Characteristics head 1

Shielded	yes
Type type, plug side	Flush-type socket, straight

Standards and Regulations

Standards/specifications	M12 connector IEC 61076-2-109
Flammability rating according to UL 94	V0

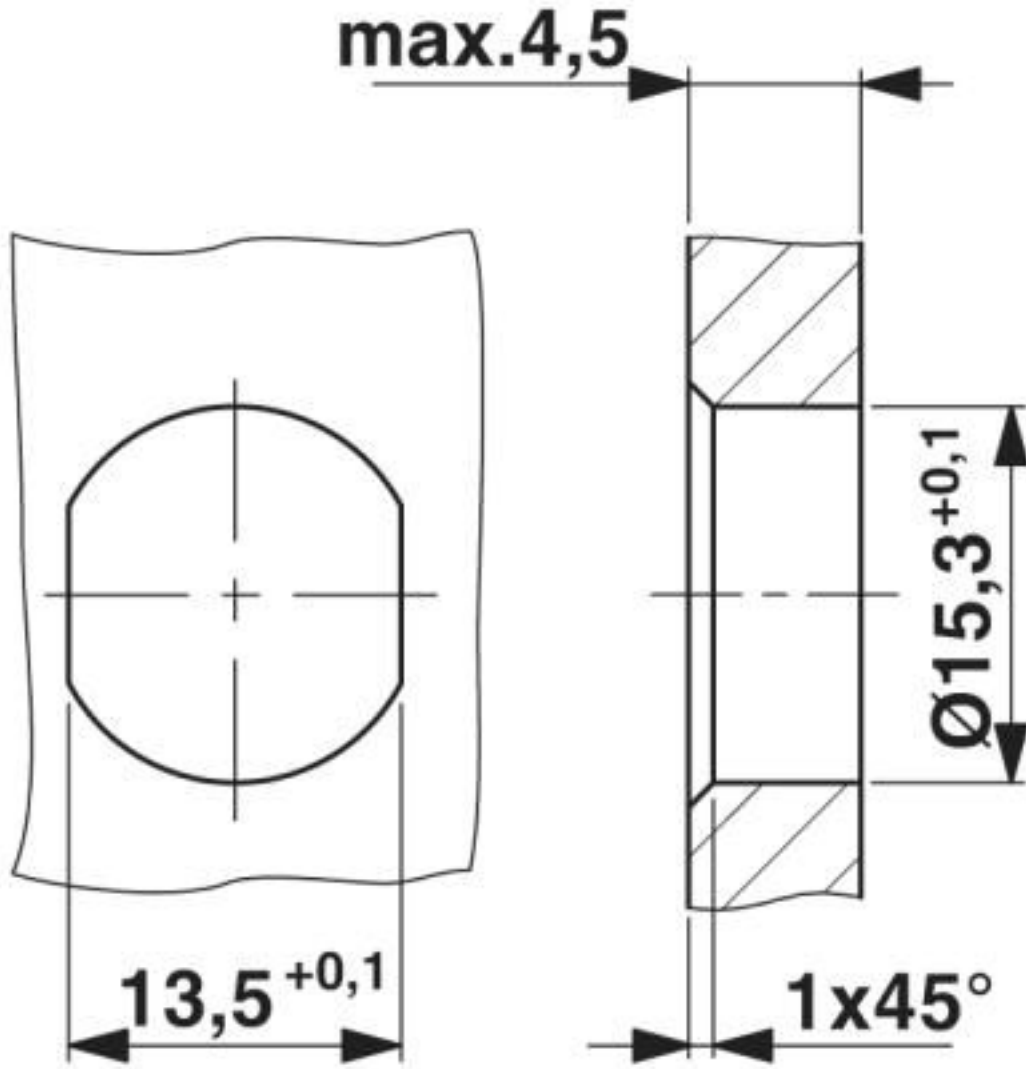
Environmental Product Compliance

REACH SVHC	Lead 7439-92-1
China RoHS	Environmentally Friendly Use Period = 50 years
	For details about hazardous substances go to tab "Downloads", Category "Manufacturer's declaration"

Drawings

Flush-type socket - SACC-DSI-FSX-8CON-PG9-L180 SCO - 1404741

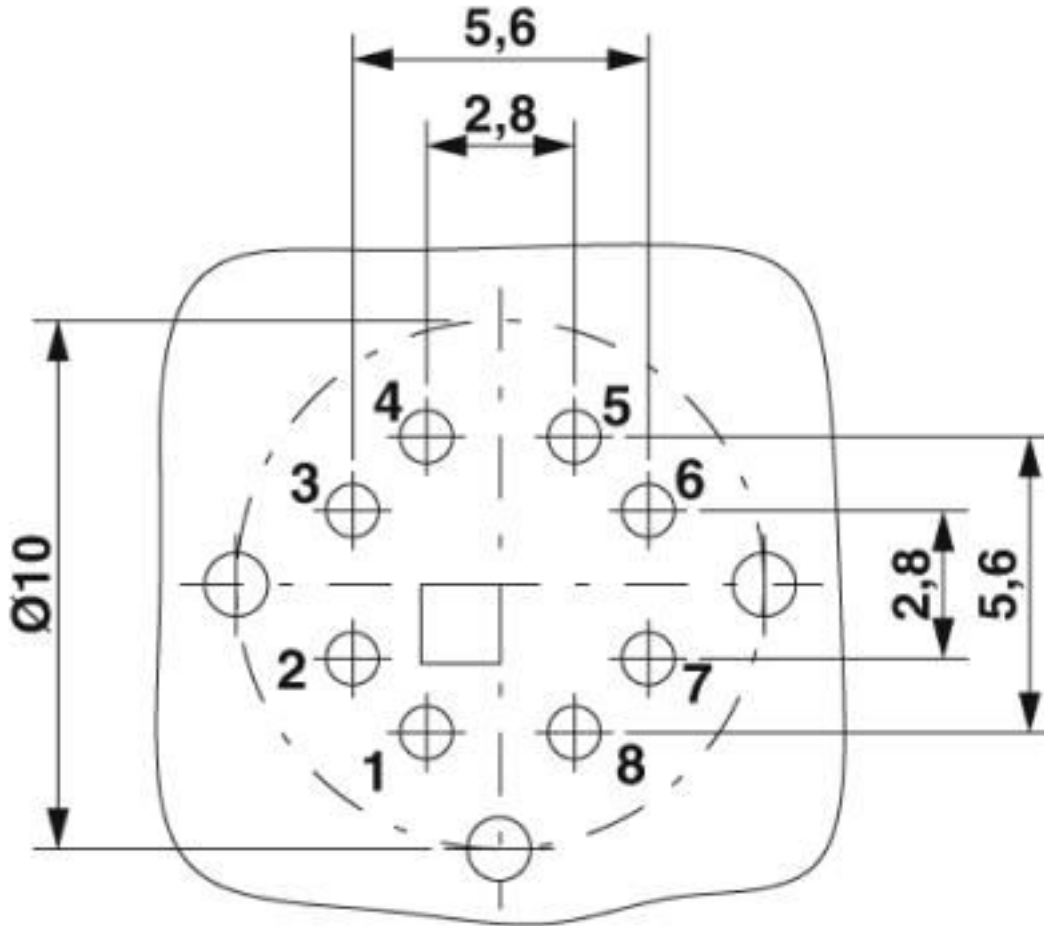
Dimensional drawing



Housing cutout for Pg9 fastening thread, mounting panel with feed-through hole (alternatively with surface as protection against rotation)

Flush-type socket - SACC-DSI-FSX-8CON-PG9-L180 SCO - 1404741

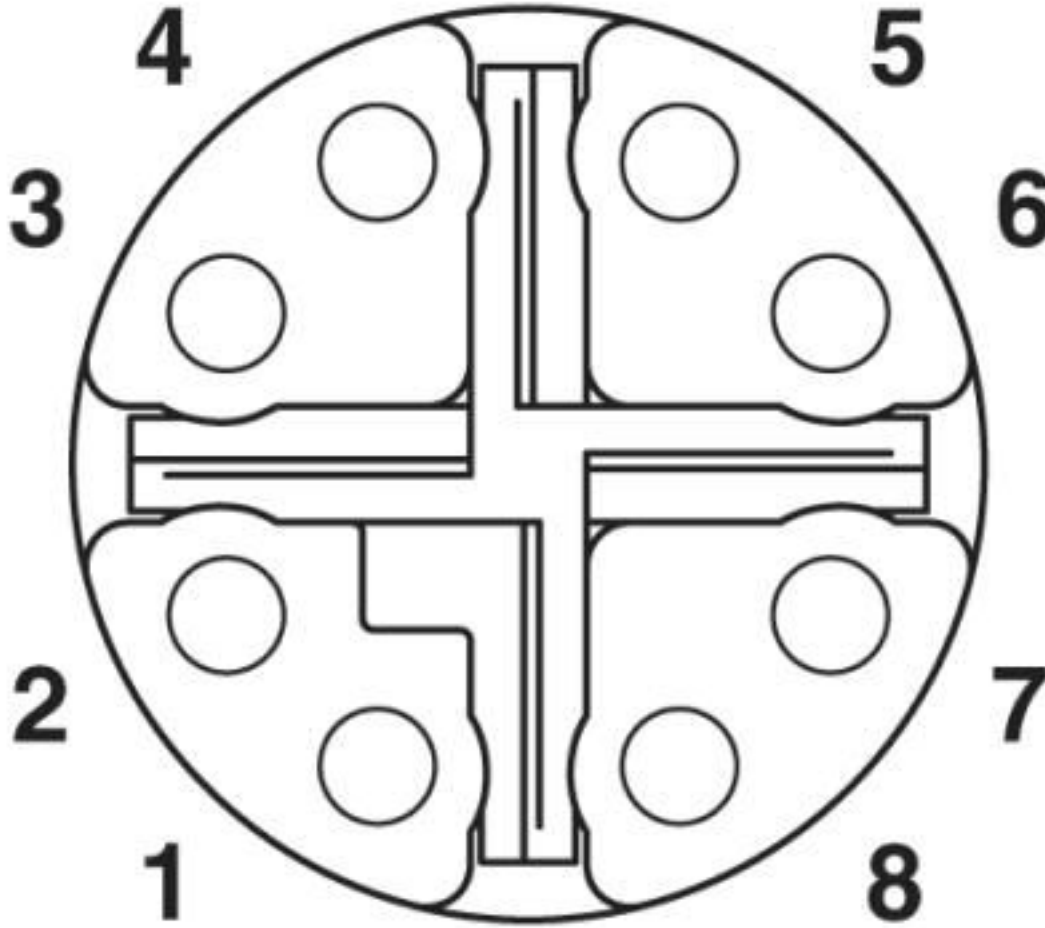
Drilling diagram



Soldering pad geometry

Flush-type socket - SACC-DSI-FSX-8CON-PG9-L180 SCO - 1404741

Schematic diagram



M12 socket pin assignment, 8-pos, view of socket side

Classifications

eCl@ss

eCl@ss 10.0.1	27440102
eCl@ss 4.0	27260700
eCl@ss 4.1	27260700
eCl@ss 5.0	27260700
eCl@ss 5.1	27260700
eCl@ss 6.0	27279200
eCl@ss 7.0	27440103
eCl@ss 8.0	27440103

Flush-type socket - SACC-DSI-FSX-8CON-PG9-L180 SCO - 1404741

Classifications

eCl@ss

eCl@ss 9.0	27440102
------------	----------

ETIM

ETIM 3.0	EC001031
ETIM 4.0	EC002498
ETIM 5.0	EC002061
ETIM 6.0	EC002061

UNSPSC

UNSPSC 6.01	31261501
UNSPSC 7.0901	31261501
UNSPSC 11	31261501
UNSPSC 12.01	31261501
UNSPSC 13.2	39121413
UNSPSC 18.0	39121413
UNSPSC 19.0	39121413
UNSPSC 20.0	39121413
UNSPSC 21.0	39121413

Approvals


Approvals

Approvals

UL Recognized / cUL Recognized / EAC / cULus Recognized

Ex Approvals

Approval details

UL Recognized		http://database.ul.com/cgi-bin/XYV/template/LISEXT/1FRAME/index.htm	E335024-20120308
Nominal voltage UN	60 V		
Nominal current IN	0.5 A		

Flush-type socket - SACC-DSI-FSX-8CON-PG9-L180 SCO - 1404741

Approvals

cUL Recognized		http://database.ul.com/cgi-bin/XYVV/template/LISEXT/1FRAME/index.htm	E335024-20120308
Nominal voltage UN		60 V	
Nominal current IN		0.5 A	

EAC		B.01687
-----	--	---------

cULus Recognized	
------------------	--

Accessories

Accessories

Plug for cable screw gland

Screw plug - PROT-M12 - 1680539



An M12 screw plug for the unoccupied M12 sockets of the sensor/actuator cable, boxes and flush-type connectors

Screw plug - PROT-M12 SH - 1503302



An M12 screw plug for the unoccupied M12 sockets of the shielded sensor/actuator cable, boxes and flush-type connectors

Flush-type socket - SACC-DSI-FSX-8CON-PG9-L180 SCO - 1404741

Accessories

Screw plug - PROT-M12 FB - 1555538



M12 high-grade steel screw plug, for unoccupied M12 sockets of the sensor/actuator cables, boxes and flush-type connectors for the food industry