

# Control cabinet feed-through - VS-BH-M12FSX-10G-RJ45/90 - 1404548

Please be informed that the data shown in this PDF Document is generated from our Online Catalog. Please find the complete data in the user's documentation. Our General Terms of Use for Downloads are valid (<http://phoenixcontact.com/download>)




Control cabinet feed-through, M12, 8-pos., X-coded to RJ45 socket, socket input 90°, IP65/67

## Your advantages

- ✓ Compact design
- ✓ 10 Gbps
- ✓ IP65/67
- ✓ UL



## Key Commercial Data

Packing unit	1 pc
GTIN	 4 046356 699419
GTIN	4046356699419
Weight per Piece (excluding packing)	40.000 g
Custom tariff number	85366990
Country of origin	Germany

## Technical data

### Ambient conditions

Degree of protection	IP65
	IP67
Ambient temperature (operation)	-25 °C ... 85 °C
Ambient temperature (storage/transport)	-25 °C ... 85 °C

### General data

# Control cabinet feed-through - VS-BH-M12FSX-10G-RJ45/90 - 1404548

## Technical data

### General data

Rated current at 40°C	0.5 A
Rated voltage	48 V
Number of positions	8
Rated voltage (III/3)	72 V (DC)
Contact material	Copper alloy
Housing material	PA
Degree of protection	IP65/IP67
Number of slots	1
Rated current	1.75 A
Transmission characteristics (category)	CAT6 <sub>A</sub>

### Characteristics head 1

Shielded	yes
----------	-----

### Standards and Regulations

Flammability rating according to UL 94	V0
--	----

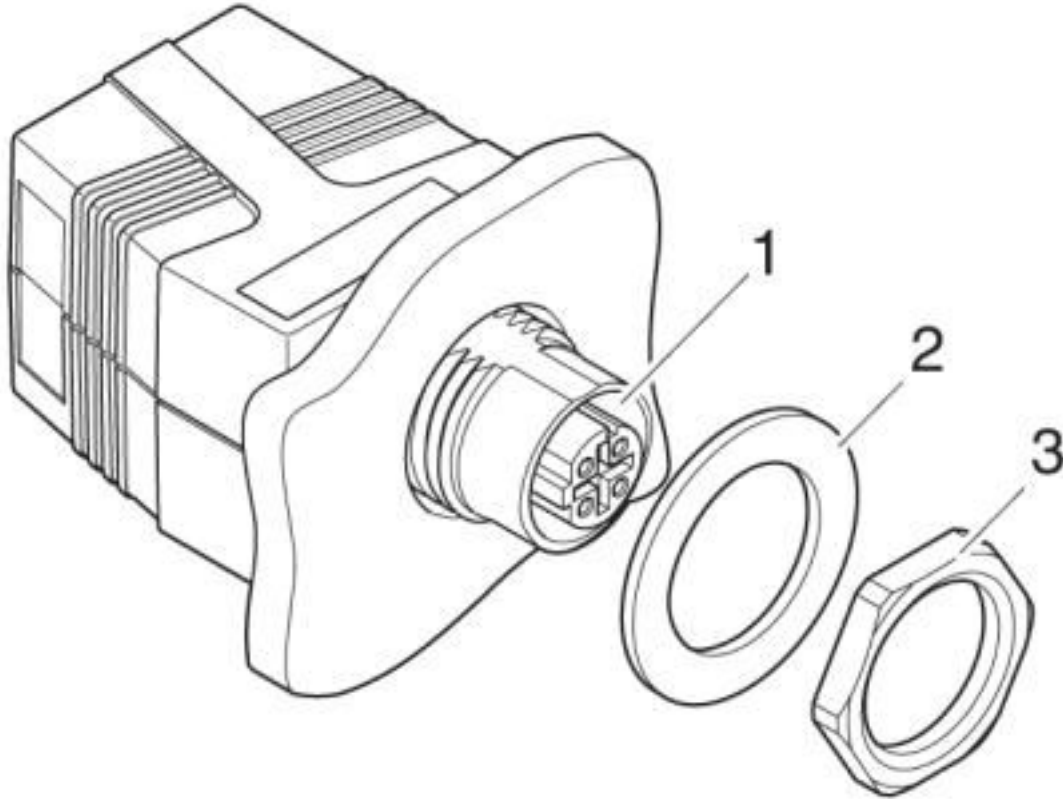
### Environmental Product Compliance

REACH SVHC	Lead 7439-92-1
China RoHS	Environmentally Friendly Use Period = 50 years
	For details about hazardous substances go to tab "Downloads", Category "Manufacturer's declaration"

## Drawings

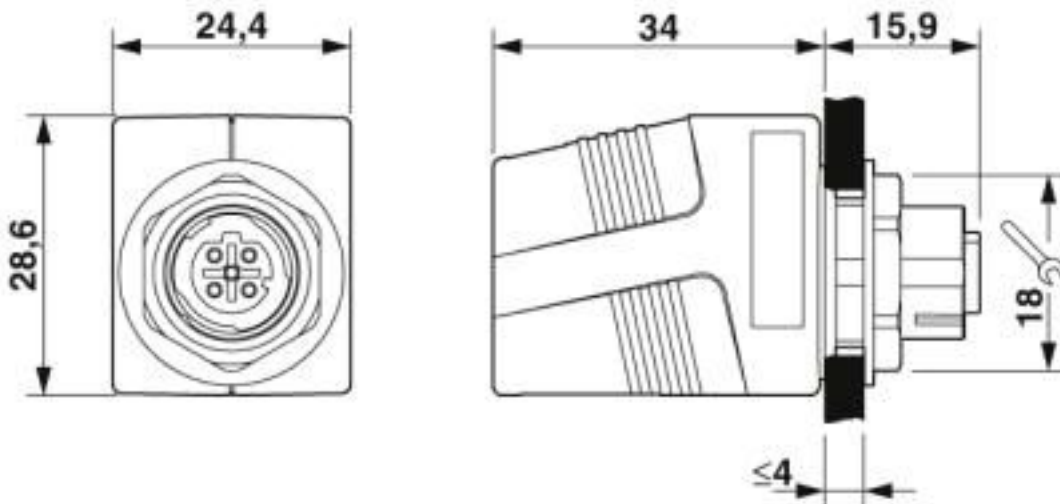
# Control cabinet feed-through - VS-BH-M12FSX-10G-RJ45/90 - 1404548

Exploded view



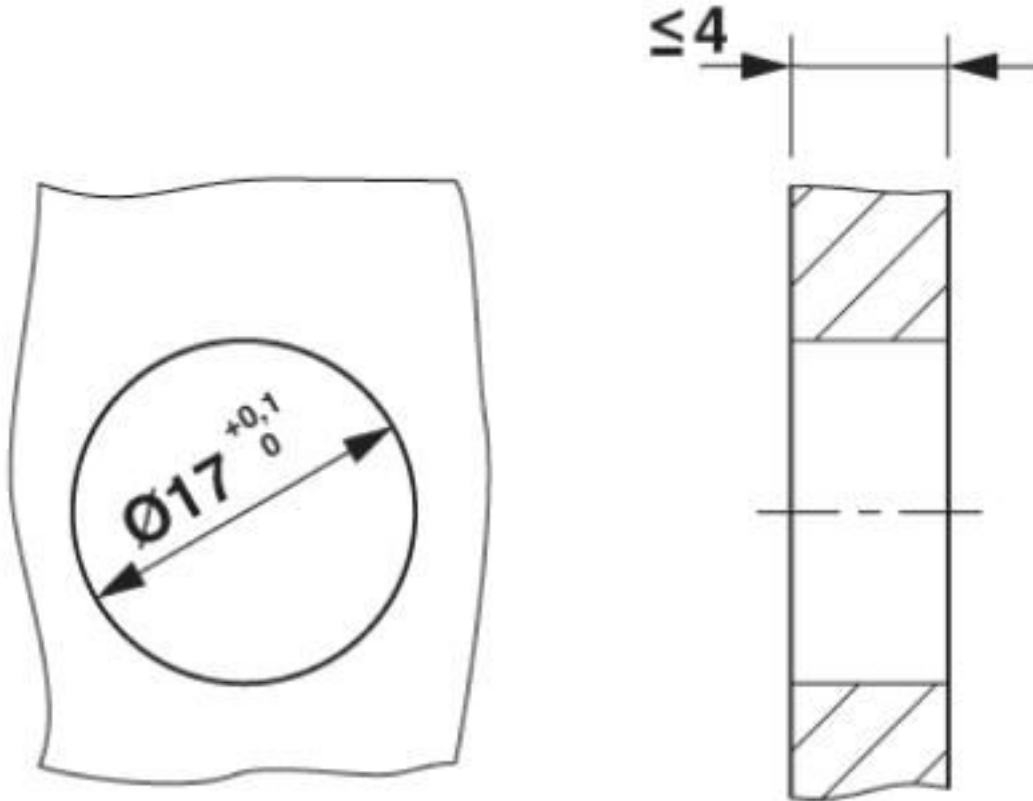
Exploded drawing

Dimensional drawing



# Control cabinet feed-through - VS-BH-M12FSX-10G-RJ45/90 - 1404548

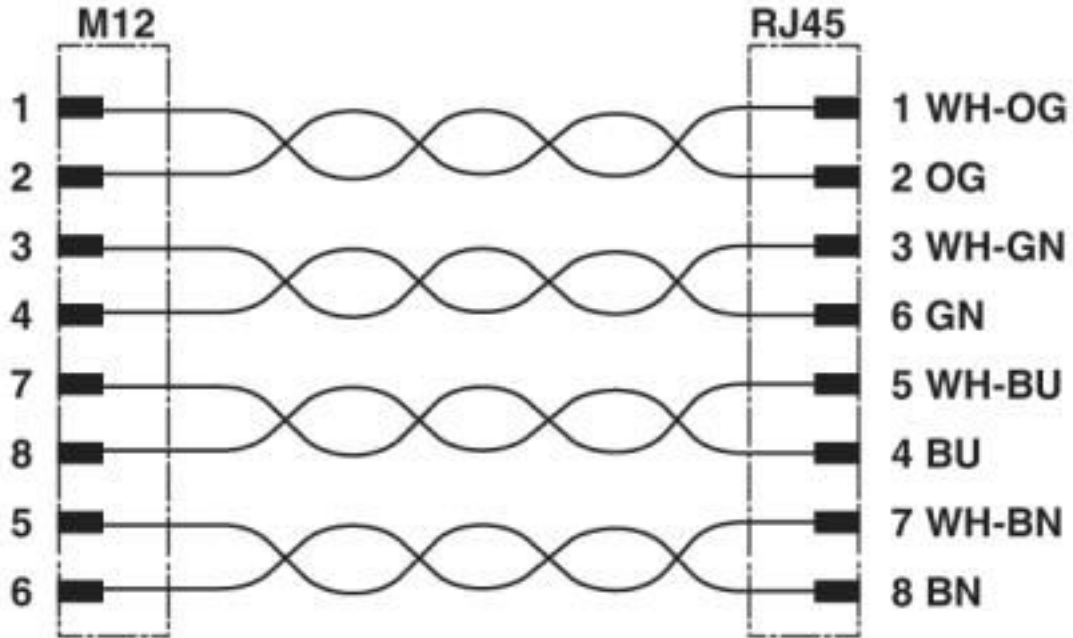
Dimensional drawing



Mounting cutout

# Control cabinet feed-through - VS-BH-M12FSX-10G-RJ45/90 - 1404548

Circuit diagram



Circuit diagram

## Classifications

eCl@ss

eCl@ss 10.0.1	27440312
eCl@ss 4.0	27260700
eCl@ss 4.1	27260700
eCl@ss 5.0	27260700
eCl@ss 5.1	27260700
eCl@ss 6.0	27260700
eCl@ss 7.0	27440312
eCl@ss 8.0	27440312
eCl@ss 9.0	27440312

ETIM

ETIM 4.0	EC001121
ETIM 5.0	EC002641
ETIM 6.0	EC002641
ETIM 7.0	EC002641

# Control cabinet feed-through - VS-BH-M12FSX-10G-RJ45/90 - 1404548

## Classifications

### UNSPSC

UNSPSC 6.01	31261501
UNSPSC 7.0901	31261501
UNSPSC 11	31261501
UNSPSC 12.01	31261501
UNSPSC 13.2	39121419
UNSPSC 18.0	39121419
UNSPSC 19.0	39121419
UNSPSC 20.0	39121419
UNSPSC 21.0	39121419

## Approvals


### Approvals


Approvals

UL Listed / cUL Listed / EAC / cULus Listed

Ex Approvals

### Approval details

UL Listed		<a href="http://database.ul.com/cgi-bin/XYV/template/LISEXT/1FRAME/index.htm">http://database.ul.com/cgi-bin/XYV/template/LISEXT/1FRAME/index.htm</a>	E335024-20140306
Nominal voltage UN		60 V	
Nominal current IN		0.5 A	

cUL Listed		<a href="http://database.ul.com/cgi-bin/XYV/template/LISEXT/1FRAME/index.htm">http://database.ul.com/cgi-bin/XYV/template/LISEXT/1FRAME/index.htm</a>	E335024-20140306
Nominal voltage UN		60 V	
Nominal current IN		0.5 A	

# Control cabinet feed-through - VS-BH-M12FSX-10G-RJ45/90 - 1404548

## Approvals

EAC		B.01687
-----	---	---------

cULus Listed	
--------------	---