

## Bus system cable - VS-PNRJ45-PNRJ45-93K-4 - 1404491

Please be informed that the data shown in this PDF Document is generated from our Online Catalog. Please find the complete data in the user's documentation. Our General Terms of Use for Downloads are valid (<http://phoenixcontact.com/download>)



Sercos III patch cable, shielded, star quad, 22 AWG stranded (7-wire), RAL 3020 (traffic red), RJ45 connector/IP20, straight to RJ45 connector/IP20, straight, length: 4 m

Sercos III patch cable



sercos  
PROFINET IRT

### Key Commercial Data

Packing unit	1 pc
GTIN	 4 046356 698313
GTIN	4046356698313
Custom tariff number	85444210
Country of origin	Poland

### Technical data

#### Dimensions

Length of cable	4.00 m
-----------------	--------

#### Ambient conditions

Degree of protection	IP20
----------------------	------

#### General data

Number of positions	4
Degree of pollution	1
Rated voltage (III/3)	72 V (DC)
Degree of protection	IP20
Transmission characteristics (category)	CAT5

#### Characteristics head 1

# Bus system cable - VS-PNRJ45-PNRJ45-93K-4 - 1404491

## Technical data

### Characteristics head 1

Shielded	yes
----------	-----

### Standards and Regulations

Flammability rating according to UL 94	V0
--	----

### Cable

Cable type	Sercos III
Cable type (abbreviation)	93K
UL AWM style	21694 (60°C / 600 V)
Signal type/category	Sercos CAT5 (IEC 11801), 100 Mbps
Cable structure	1x4xAWG22/7; SF/TQ
Conductor cross section	4x 0.34 mm <sup>2</sup>
AWG signal line	22
Conductor structure signal line	7x 0.25 mm
Core diameter including insulation	approx. 1.55 mm
Wire colors	White, yellow, blue, orange
Type of pair shielding	Aluminum-lined polyester foil
Overall twist	Star quad
Shielding	Tinned copper braided shield
External sheath, color	signal red RAL 3020
Outer sheath thickness	approx. 0.9 mm
External cable diameter D	6.5 mm ±0.2 mm
Minimum bending radius, fixed installation	3 x D
Minimum bending radius, flexible installation	7 x D
Cable weight	68 kg/km
Outer sheath, material	PVC
Material, inner sheath	PVC
Material conductor insulation	PE
Conductor material	Tin-plated Cu litz wires
Insulation resistance	≥ 0.5 GΩ*km
Conductor resistance	≤ 120 Ω/km
Wave impedance	100 Ω ±15 Ω (at 100 MHz)
Signal runtime	5.3 ns/m
Coupling resistance	≤ 20.00 mΩ/m (at 10 Hz)
Nominal voltage, cable	600 V
Test voltage Core/Core	2000 V (50 Hz, 1 min.)
Test voltage Core/Shield	2000 V (50 Hz, 1 min.)
Flame resistance	according to UL 1685 (CSA FT 4)

# Bus system cable - VS-PNRJ45-PNRJ45-93K-4 - 1404491

## Technical data

### Cable

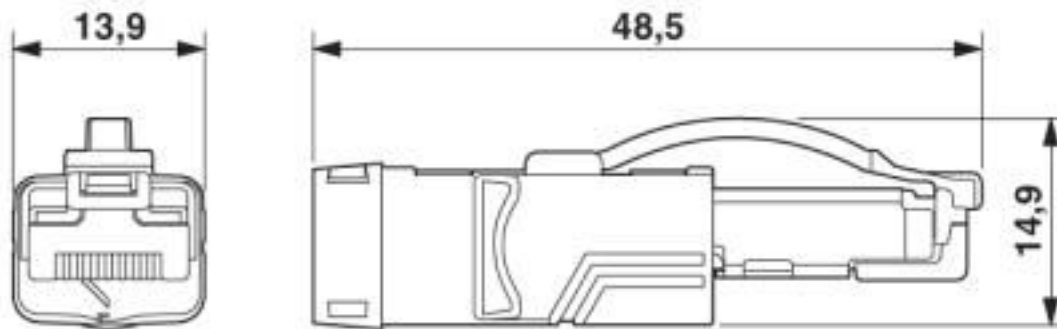
Resistance to oil	Resistant to oil to a limited extent
Other resistance	UV resistant According to UL 1581, Section 1200
Ambient temperature (operation)	-40 °C ... 70 °C (cable, fixed installation)
	-40 °C ... 70 °C (cable, flexible installation)
Ambient temperature (installation)	-20 °C ... 60 °C
Ambient temperature (storage/transport)	-50 °C ... 70 °C

### Environmental Product Compliance

China RoHS	Environmentally friendly use period: unlimited = EFUP-e
	No hazardous substances above threshold values

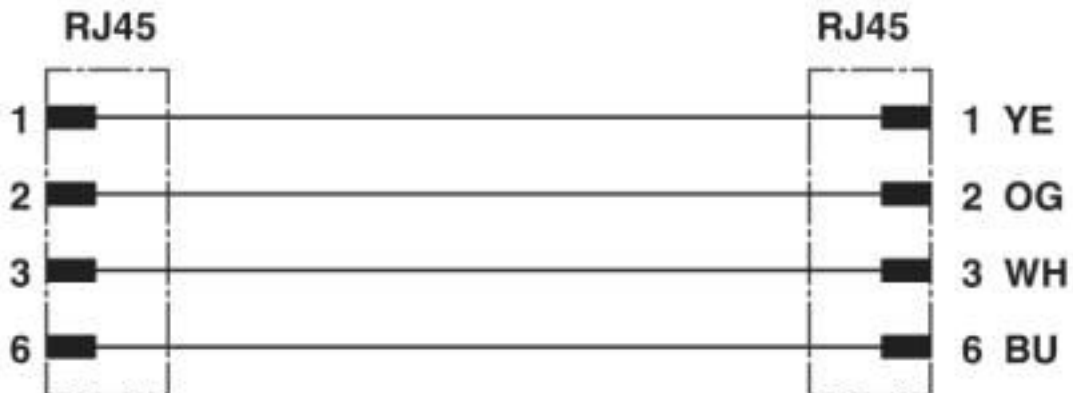
## Drawings

Dimensional drawing



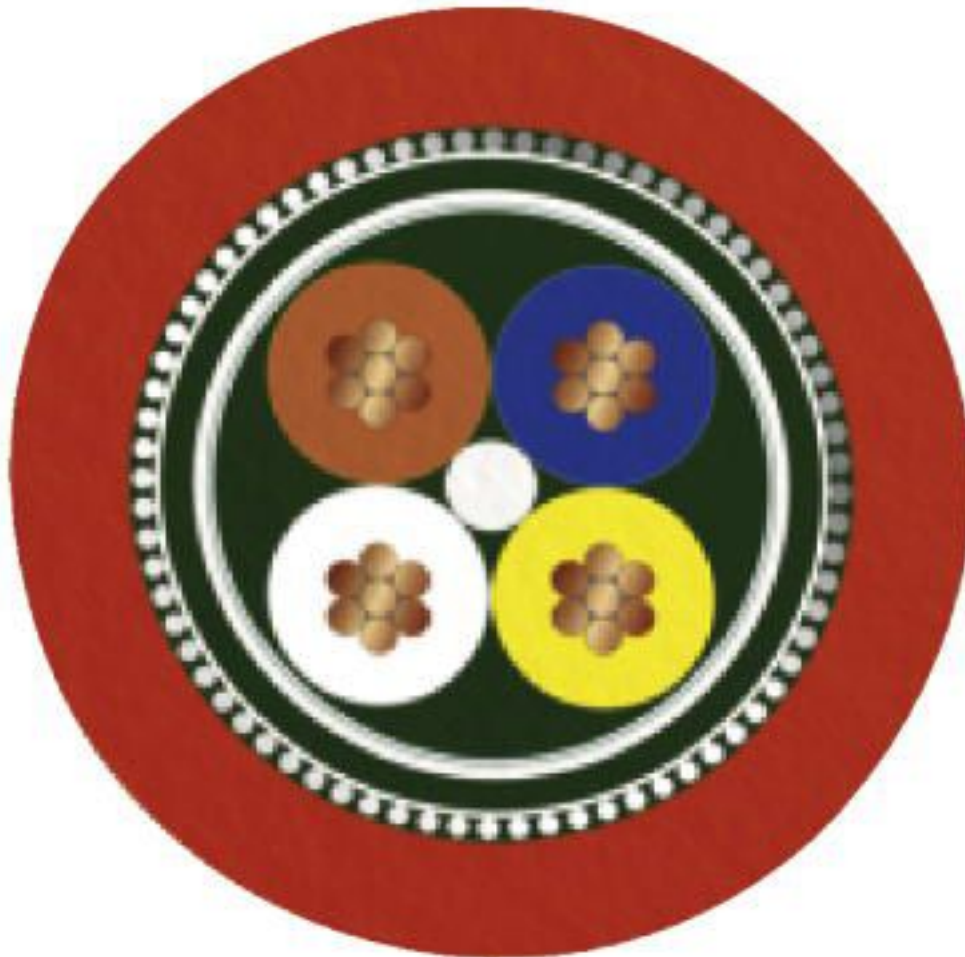
RJ45 connector, IP20

Circuit diagram



## Bus system cable - VS-PNRJ45-PNRJ45-93K-4 - 1404491

Cable cross section



Sercos III [93K]

### Classifications

eCl@ss

eCl@ss 10.0.1	27060308
eCl@ss 4.0	24010400
eCl@ss 4.1	24010400
eCl@ss 5.0	19030300
eCl@ss 5.1	19030300
eCl@ss 6.0	27060300
eCl@ss 7.0	27060308

# Bus system cable - VS-PNRJ45-PNRJ45-93K-4 - 1404491

## Classifications

### eCl@ss

eCl@ss 8.0	27060308
eCl@ss 9.0	27060308

### ETIM

ETIM 3.0	EC000830
ETIM 4.0	EC002599
ETIM 5.0	EC002599
ETIM 6.0	EC001262
ETIM 7.0	EC001262

### UNSPSC

UNSPSC 6.01	26121616
UNSPSC 7.0901	26121616
UNSPSC 11	26121604
UNSPSC 12.01	31261501
UNSPSC 13.2	26121604
UNSPSC 18.0	26121604
UNSPSC 19.0	26121604
UNSPSC 20.0	26121604
UNSPSC 21.0	26121604

## Approvals

### Approvals

---

### Approvals

#### EAC

---

### Ex Approvals

### Approval details

EAC		19060508
-----	--	----------

