

Connector - SACC-M12MR-12SOL-PG 9-M - 1404421

Please be informed that the data shown in this PDF Document is generated from our Online Catalog. Please find the complete data in the user's documentation. Our General Terms of Use for Downloads are valid (<http://phoenixcontact.com/download>)



Connector, Universal, 12-position, Plug angled M12, Coding: A, Solder connection, knurl material: Zinc die-cast, nickel-plated, cable gland Pg9, external cable diameter 6 mm ... 8 mm

Your advantages

- Safe use in the field, thanks to a high degree of protection
- Flexible: connectors for on-site assembly
- Save space – with high-pos. connectors

Key Commercial Data

| | |
|--------------------------------------|---------------|
| Packing unit | 1 pc |
| GTIN | |
| GTIN | 4046356694537 |
| Weight per Piece (excluding packing) | 20.800 g |
| Custom tariff number | 85366990 |
| Country of origin | Germany |

Technical data

Dimensions

| | |
|---|---------------|
| Diameter housing | 20.2 mm |
| Length | 44 mm |
| External cable diameter | 6 mm ... 8 mm |
| Stripping length of the sheath | 20 mm |
| Stripping length of the individual wire | 4 mm |

Ambient conditions

Connector - SACC-M12MR-12SOL-PG 9-M - 1404421

Technical data

Ambient conditions

| | |
|---------------------------------|----------------------------------|
| Ambient temperature (operation) | -40 °C ... 85 °C (Plug / socket) |
| Degree of protection | IP67 |

General

| | |
|-----------------------------|---|
| Note | NOTE: Observe the permissible bending radii when laying conductors, since the degree of protection may be put in jeopardy if the bending forces are too high. Alleviate mechanical loads upstream of the connector, e.g. by using cable ties. |
| Rated current at 40°C | 1.5 A (up to 40 °C) |
| Rated voltage | 30 V AC |
| | 30 V DC |
| Number of positions | 12 |
| Color handle area | black |
| Insulation resistance | > 10 GΩ |
| Coding | A - standard |
| Standards/regulations | M12 connector IEC 61076-2-101 |
| Signal type/category | Universal |
| Status display | No |
| Overvoltage category | II |
| Degree of pollution | 3 |
| Connection method | Solder connection |
| Conductor cross section | 0.08 mm ² ... 0.25 mm ² (without ferrule) |
| | 0.08 mm ² ... 0.25 mm ² (solid) |
| Conductor cross section AWG | 28 ... 24 (without ferrule) |
| Insertion/withdrawal cycles | ≥ 100 |
| Torque | 0.4 Nm (M12 knurl) |
| | 0.8 Nm ... 1 Nm (Pressure nut with coupling sleeve) |
| Tightening torque | Screw plug insert with sleeve housing as far it will go |
| Assembly instructions | The connector pin assignment can be rotated 90° to the cable outlet |

Material

| | |
|--|------------------------------|
| Flammability rating according to UL 94 | HB |
| Contact material | CuZn |
| Contact surface material | Au |
| Contact carrier material | PA |
| Material of grip body | PA |
| Material, knurls | Zinc die-cast, nickel-plated |
| Sealing material | NBR |

Standards and Regulations

Connector - SACC-M12MR-12SOL-PG 9-M - 1404421

Technical data

Standards and Regulations

| | |
|--|-------------------------------|
| Standards/specifications | M12 connector IEC 61076-2-101 |
| Flammability rating according to UL 94 | HB |

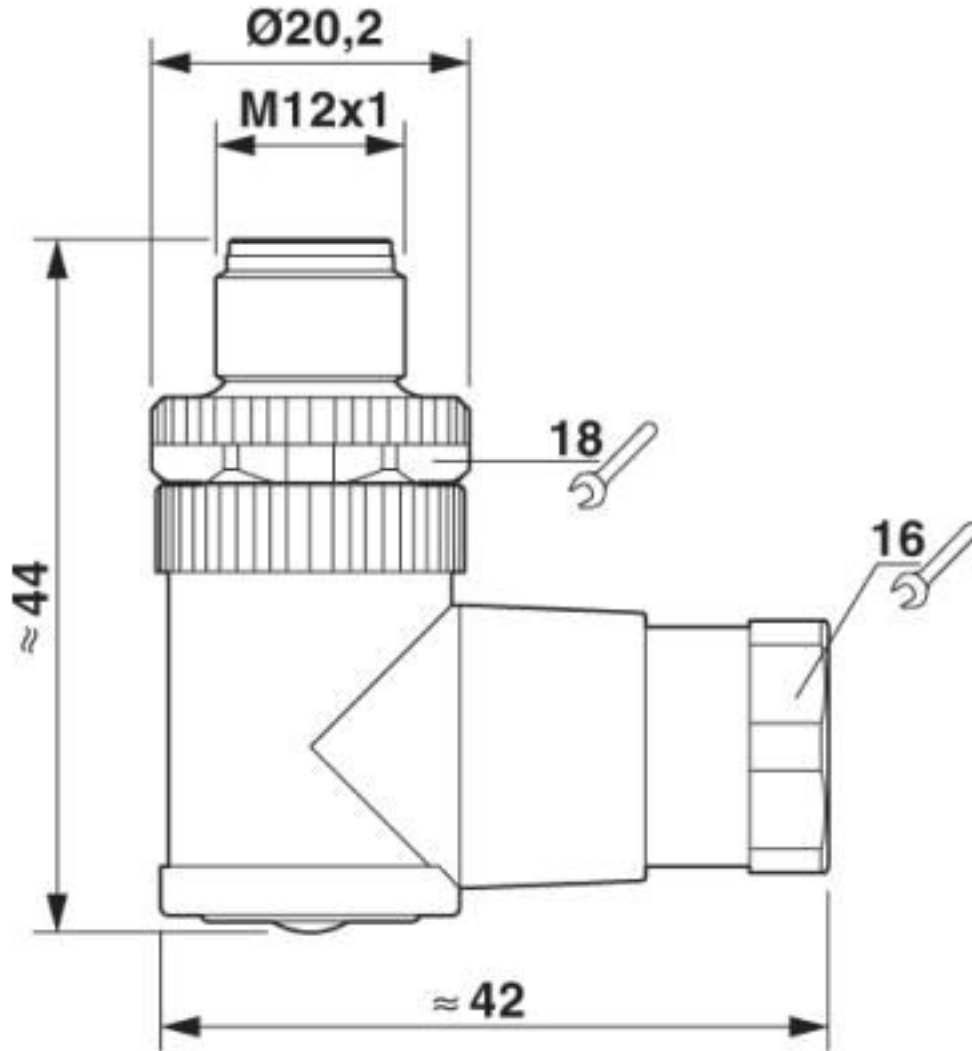
Environmental Product Compliance

| | |
|------------|---|
| REACH SVHC | Lead 7439-92-1 |
| China RoHS | Environmentally Friendly Use Period = 50 years |
| | For details about hazardous substances go to tab "Downloads", Category "Manufacturer's declaration" |

Drawings

Connector - SACC-M12MR-12SOL-PG 9-M - 1404421

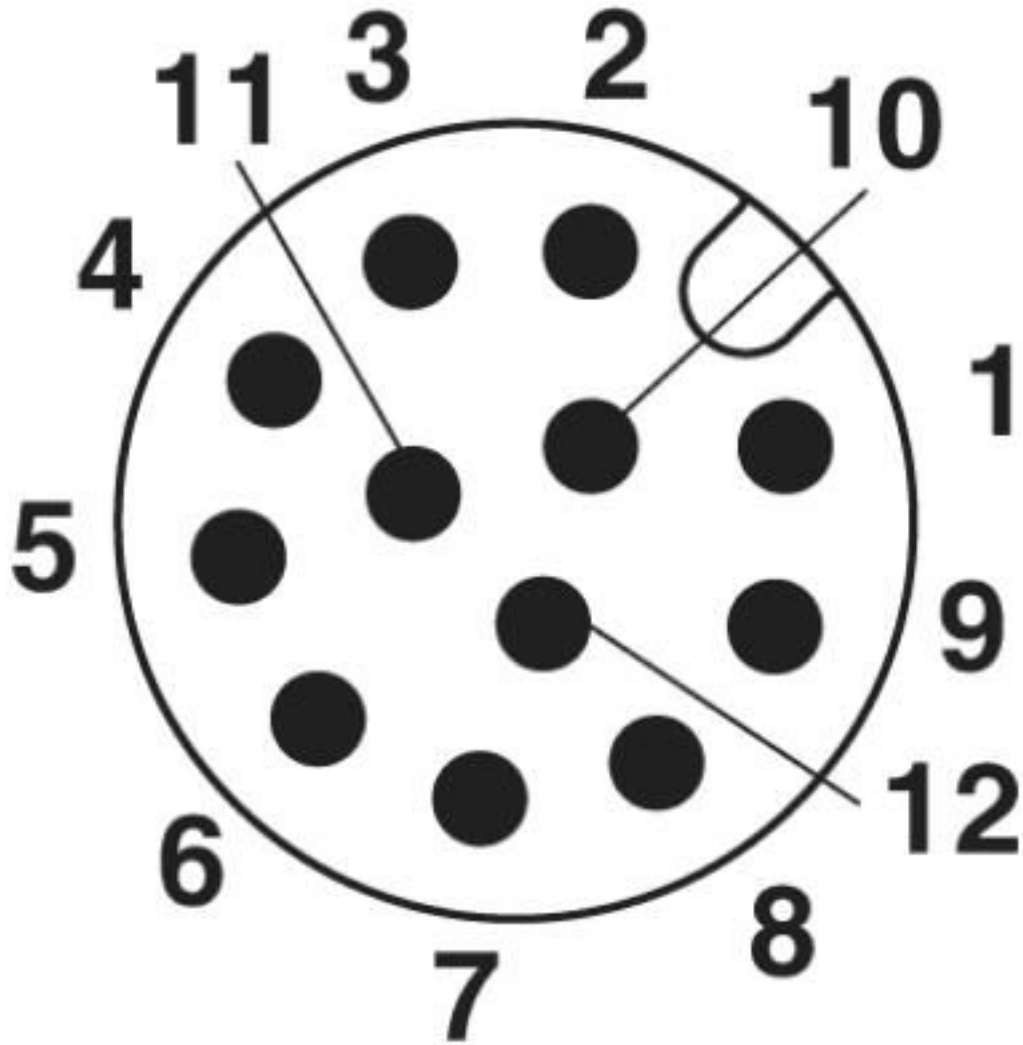
Dimensional drawing



M12 x 1 male plug, angled

Connector - SACC-M12MR-12SOL-PG 9-M - 1404421

Schematic diagram



Pin assignment of M12 male connector, 12-pos., A-coded, view of pin side

Classifications

eCl@ss

| | |
|---------------|----------|
| eCl@ss 10.0.1 | 27440102 |
| eCl@ss 4.0 | 27140800 |
| eCl@ss 4.1 | 27140800 |
| eCl@ss 5.0 | 27143400 |
| eCl@ss 5.1 | 27143400 |

Connector - SACC-M12MR-12SOL-PG 9-M - 1404421

Classifications

eCl@ss

| | |
|------------|----------|
| eCl@ss 6.0 | 27279200 |
| eCl@ss 7.0 | 27440104 |
| eCl@ss 8.0 | 27440104 |
| eCl@ss 9.0 | 27440102 |

ETIM

| | |
|----------|----------|
| ETIM 3.0 | EC002062 |
| ETIM 4.0 | EC002062 |
| ETIM 5.0 | EC002062 |
| ETIM 6.0 | EC002062 |

UNSPSC

| | |
|---------------|----------|
| UNSPSC 6.01 | 30211824 |
| UNSPSC 7.0901 | 39121413 |
| UNSPSC 11 | 39121413 |
| UNSPSC 12.01 | 39121413 |
| UNSPSC 13.2 | 39121413 |
| UNSPSC 18.0 | 39121413 |
| UNSPSC 19.0 | 39121413 |
| UNSPSC 20.0 | 39121413 |
| UNSPSC 21.0 | 39121413 |

Approvals

Approvals

Approvals

UL Recognized / cUL Recognized / cULus Recognized

Ex Approvals

Approval details

Connector - SACC-M12MR-12SOL-PG 9-M - 1404421

Approvals

| | | | |
|--------------------|--|---|---------------|
| UL Recognized | | http://database.ul.com/cgi-bin/XYV/template/LISEXT/1FRAME/index.htm | FILE E 221474 |
| | | | |
| Nominal voltage UN | | 30 V | |
| Nominal current IN | | 1 A | |

| | | | |
|--------------------|--|---|---------------|
| cUL Recognized | | http://database.ul.com/cgi-bin/XYV/template/LISEXT/1FRAME/index.htm | FILE E 221474 |
| | | | |
| Nominal voltage UN | | 30 V | |
| Nominal current IN | | 1 A | |

| | | | |
|------------------|--|--|--|
| cULus Recognized | | | |
|------------------|--|--|--|

Accessories

Accessories

Protective cap

Sealing cap - PROT-M12 FS-PA-CHAIN - 1430873

M12 sealing cap made of plastic with fixing band, for sensor cables, for free M12 plugs



Screwdriver tools

Tool - SACC BIT M12-D20 - 1208445

Nut for assembling M12 connectors for assembly with a knurl diameter of 20 mm, for 4 mm hexagonal drive



Connector - SACC-M12MR-12SOL-PG 9-M - 1404421

Accessories

Adapter insert - TSD-M SAC-BIT ADAPTER - 1212600



Adapter bit for TSD-M...torque tools, E6.3-1/4" drive with 4 mm hexagon to accommodate SAC bits

Stripping tool

Stripping tool - WIREFOX SAC - 1212623



Stripping pliers, for halogen-free sensor/actuator cables (SAC cables), with PUR and PVC insulation, from \varnothing of 4.4 to 7 mm, any stripping length

Torque tool

Torque screwdriver - TSD 04 SAC - 1208429



Torque screwdriver, with preset torque of 0.4 Nm and 4 mm hexagonal drive for M12 connectors

Torque screwdriver - TSD-M 1,2NM - 1212224



Torque screw driver, accuracy as per EN ISO 6789 standard, adjustable from 0.3 - 1.2 Nm