

Network cable - VS-IP20-IP20-93C/10 - 1404374


Please be informed that the data shown in this PDF Document is generated from our Online Catalog. Please find the complete data in the user's documentation. Our General Terms of Use for Downloads are valid (<http://phoenixcontact.com/download>)



Assembled PROFINET cable, CAT5e, shielded, star-quad, 22 AWG suitable for use with drag chain (7-wire), RAL 6018 (yellow-green), RJ45 plug/IP20 to RJ45 plug/IP20, length: 10 m



Key Commercial Data

Packing unit	1
GTIN	 4 046356 692434
GTIN	4046356692434
Custom tariff number	85444210

Technical data

Dimensions

Length of cable	10.00 m
-----------------	---------

Ambient conditions

Degree of protection	IP20
Ambient temperature (operation)	-10 °C ... 60 °C (fixed routing)
	-10 °C ... 60 °C (Flexibly installed)

General data

Number of positions	4
Overvoltage category	I
Degree of pollution	1
Alternative short product description	PROFINET cable
Degree of protection	IP20
Transmission characteristics (category)	CAT5

Network cable - VS-IP20-IP20-93C/10 - 1404374

Technical data

Characteristics head 1

Shielded	yes
Outer sheath, material	PUR
External sheath, color	green RAL 6018

Standards and Regulations

Flammability rating according to UL 94	V0
--	----

Cable

Product labeling	"sequential length in metres" PN-CABLE-934-C / PUR-4X22AWG/7 Trailing * 22AWG (SHIELDED) (UL) E119100 CMX 75°C VERIFIED (UL) CAT 5E PATCH CABLE FRNC * (Cable printing cable supplier)
Cable type	PROFINET drag chain CAT5
Cable type (abbreviation)	93C
Signal type/category	PROFINET CAT5 (IEC 11801), 100 Mbps EtherCAT® CAT5 (IEC 11801), 100 Mbps
Cable structure	1x4xAWG22/7; SF/TQ
Conductor cross section	4x 0.34 mm ²
AWG signal line	22
Conductor structure signal line	7x 0.25 mm
Core diameter including insulation	1.5 mm
Wire colors	White, yellow, blue, orange
Overall twist	Star quad
Shielding	Aluminum-coated foil, tinned copper braided shield
Optical shield covering	85 %
External sheath, color	green RAL 6018
Outer sheath thickness	approx. 0.9 mm
External cable diameter D	6.5 mm ±0.2 mm
Minimum bending radius, fixed installation	5 x D
Minimum bending radius, flexible installation	7.5 x D
Number of bending cycles	3000000
Bending radius	100 mm
Traversing path	10 m
Traversing rate	4 m/s
Acceleration	4 m/s ²
Torsion force	± 30 °/m
Tensile strength GRP	≤ 150 N
Cable weight	61 kg/km
Outer sheath, material	PUR
Material, inner sheath	FRNC

Network cable - VS-IP20-IP20-93C/10 - 1404374

Technical data

Cable

Material conductor insulation	PE	
Conductor material	Tin-plated Cu litz wires	
Insulation resistance	$\geq 500 \text{ M}\Omega \cdot \text{km}$	
Loop resistance	$\leq 120.00 \text{ }\Omega/\text{km}$	
Wave impedance	$100 \text{ }\Omega \pm 15 \text{ }\Omega$ (at 1 ... 100 MHz)	
Near end crosstalk attenuation (NEXT)	80 dB (with 1 MHz)	
	76 dB (at 4 MHz)	
	70 dB (at 10 MHz)	
	65 dB (at 16 MHz)	
	63 dB (at 20 MHz)	
	60 dB (at 31.25 MHz)	
	55 dB (at 62.5 MHz)	
	50 dB (at 100 MHz)	
	Attenuation	2.1 dB (with 1 MHz)
		4 dB (at 4 MHz)
6.3 dB (at 10 MHz)		
8 dB (at 16 MHz)		
9 dB (at 20 MHz)		
11.4 dB (at 31.25 MHz)		
16.5 dB (at 62.5 MHz)		
21.3 dB (at 100 MHz)		
Signal speed		0.66 c
Signal runtime		5.3 ns/m
Coupling resistance	$\leq 20.00 \text{ m}\Omega/\text{m}$ (at 10 MHz)	
Nominal voltage, cable	600 V (UL rating)	
Test voltage Core/Core	2000 V (50 Hz, 1 min.)	
Test voltage Core/Shield	2000 V (50 Hz, 1 min.)	
Special properties	Electrical properties according to EN 50288-2-2	
Flame resistance	according to IEC 60332-1-2	
Halogen-free	yes	
Resistance to oil	in accordance with DIN EN 60811-2-1	
Other resistance	UV resistant	
Ambient temperature (operation)	-40 °C ... 70 °C (cable, fixed installation)	
	-40 °C ... 70 °C (cable, flexible installation)	
Ambient temperature (installation)	-20 °C ... 60 °C	
Ambient temperature (storage/transport)	-50 °C ... 70 °C	

Environmental Product Compliance

Network cable - VS-IP20-IP20-93C/10 - 1404374

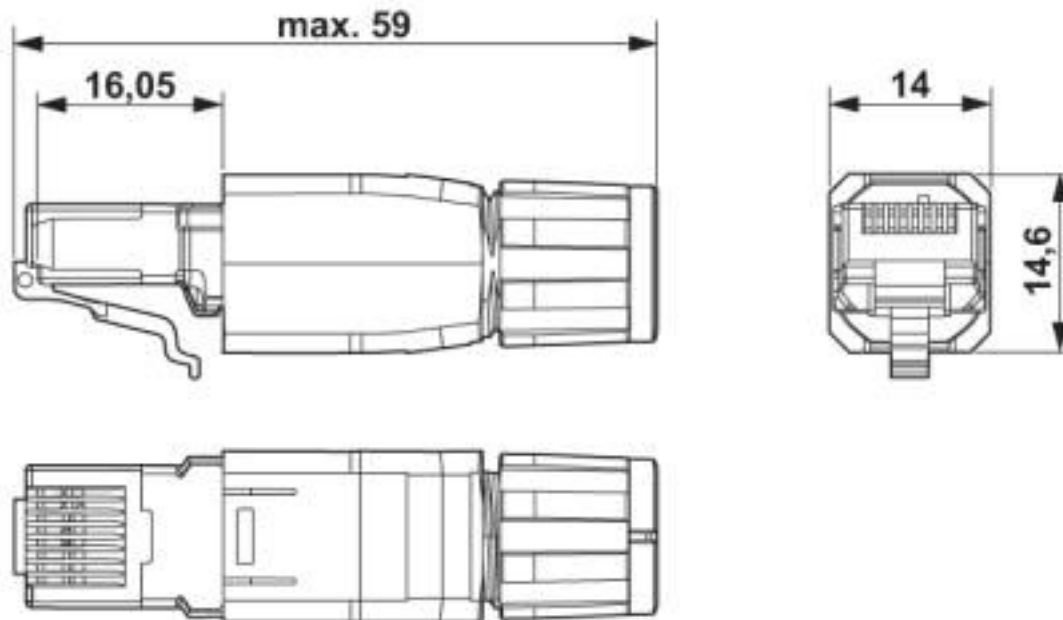
Technical data

Environmental Product Compliance

China RoHS	Environmentally friendly use period: unlimited = EFUP-e
	No hazardous substances above threshold values

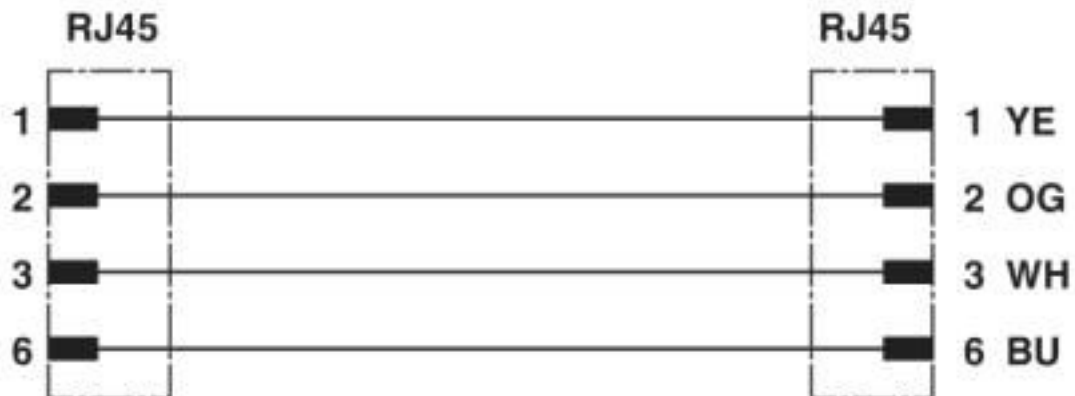
Drawings

Dimensional drawing



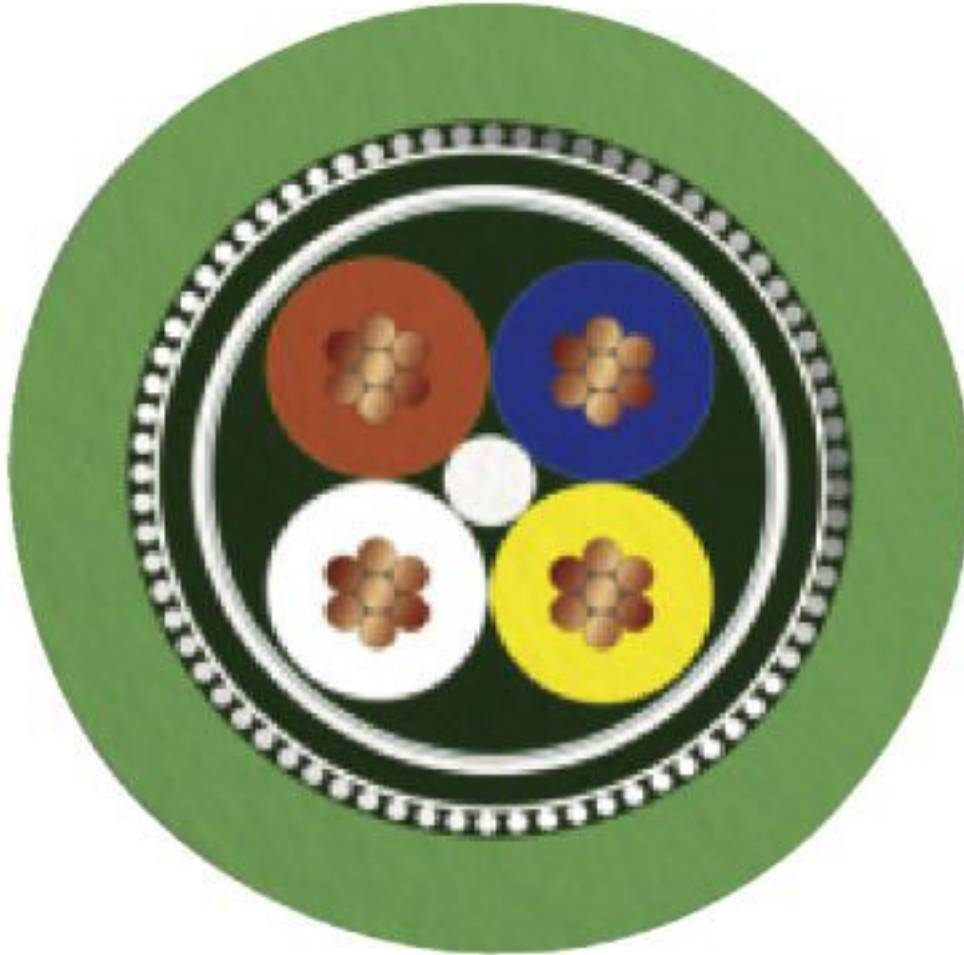
RJ45 connector, IP20

Circuit diagram



Network cable - VS-IP20-IP20-93C/10 - 1404374

Cable cross section



PROFINET drag chain CAT5 [93C]

Classifications

eCl@ss

eCl@ss 10.0.1	27060308
eCl@ss 4.0	24010400
eCl@ss 4.1	24010400
eCl@ss 5.0	19030300
eCl@ss 5.1	19030300
eCl@ss 6.0	27060300
eCl@ss 7.0	27060308

Network cable - VS-IP20-IP20-93C/10 - 1404374

Classifications

eCl@ss

eCl@ss 8.0	27060308
eCl@ss 9.0	27060308

ETIM

ETIM 3.0	EC000830
ETIM 4.0	EC002599
ETIM 5.0	EC002599
ETIM 6.0	EC001262
ETIM 7.0	EC001262

UNSPSC

UNSPSC 6.01	31261501
UNSPSC 7.0901	31261501
UNSPSC 11	31261501
UNSPSC 12.01	31261501
UNSPSC 13.2	26121604
UNSPSC 18.0	26121604
UNSPSC 19.0	26121604
UNSPSC 20.0	26121604
UNSPSC 21.0	26121604

Approvals

Approvals

Approvals

EAC

Ex Approvals

Approval details

EAC		19060508
-----	--	----------

