

## Terminal outlet - VS-TO-RO-MCBK-F1411/1413 - 1404333


Please be informed that the data shown in this PDF Document is generated from our Online Catalog. Please find the complete data in the user's documentation. Our General Terms of Use for Downloads are valid (<http://phoenixcontact.com/download>)



Terminal outlet RJ45/Power IP65/67 Push-Pull, 2 slots version 14, with protective plugs, 2 cable entries

Terminal outlet 1xRJ45; 1xPower

### Key Commercial Data

Packing unit	1 pc
GTIN	 4 046356 303156
GTIN	4046356303156
Weight per Piece (excluding packing)	740.000 g
Custom tariff number	85369095
Country of origin	Germany

### Technical data

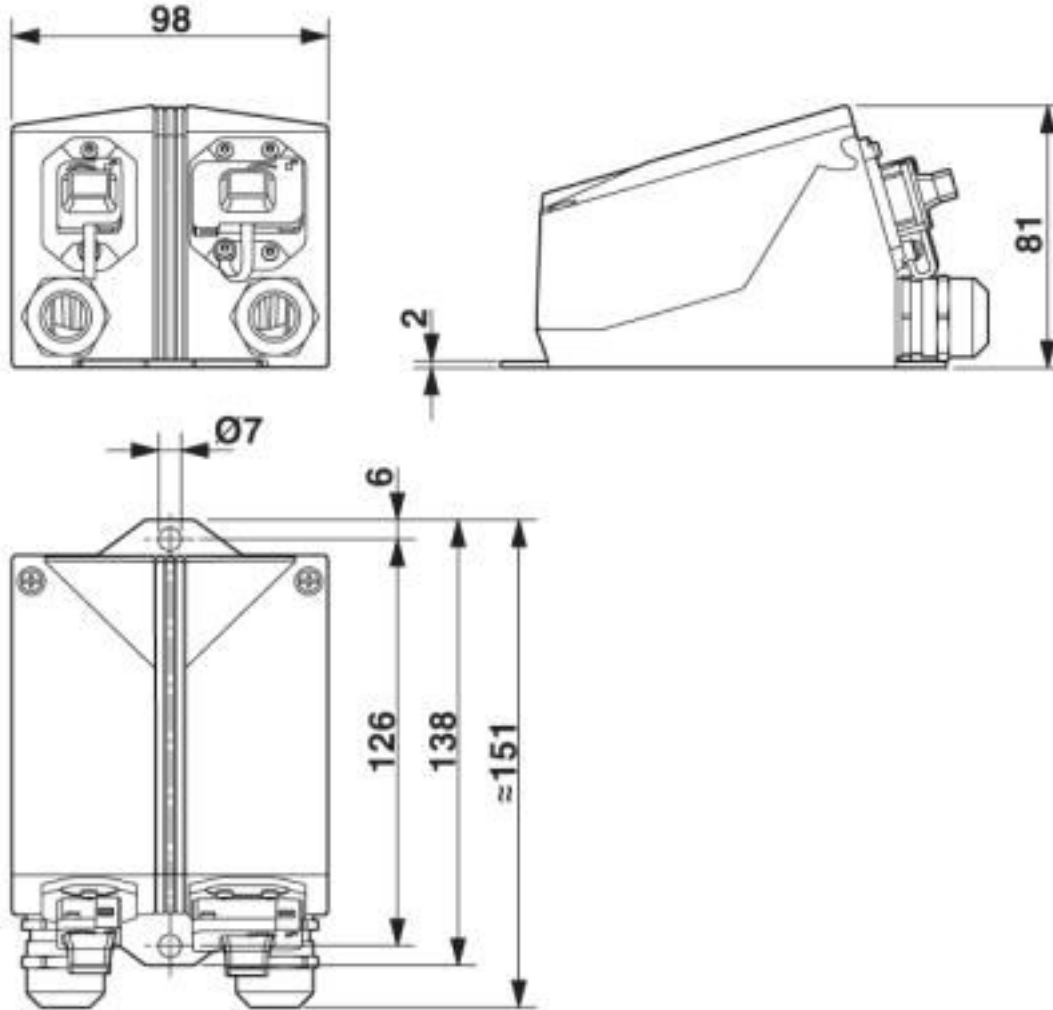
#### Environmental Product Compliance

REACH SVHC	Lead 7439-92-1
China RoHS	Environmentally Friendly Use Period = 50 years
	For details about hazardous substances go to tab "Downloads", Category "Manufacturer's declaration"

### Drawings

# Terminal outlet - VS-TO-RO-MCBK-F1411/1413 - 1404333

Dimensional drawing



Terminal outlet 1xRJ45; 1xPower

## Classifications

eCl@ss

eCl@ss 10.0.1	27440319
eCl@ss 4.0	27260700
eCl@ss 4.1	27260700
eCl@ss 5.0	27260700
eCl@ss 5.1	27269200
eCl@ss 6.0	27269200

# Terminal outlet - VS-TO-RO-MCBK-F1411/1413 - 1404333

## Classifications

### eCl@ss

eCl@ss 7.0	27449203
eCl@ss 8.0	27440319
eCl@ss 9.0	27440319

### ETIM

ETIM 3.0	EC001121
ETIM 4.0	EC002598
ETIM 5.0	EC002598
ETIM 6.0	EC001409
ETIM 7.0	EC001409

### UNSPSC

UNSPSC 6.01	31261501
UNSPSC 7.0901	31261501
UNSPSC 11	31261501
UNSPSC 12.01	31261501
UNSPSC 13.2	31261501
UNSPSC 18.0	43223310
UNSPSC 19.0	43223310
UNSPSC 20.0	43223310
UNSPSC 21.0	43223310

## Approvals

### Approvals

---


Approvals

EAC

---

Ex Approvals

### Approval details

EAC		B.01687
-----	---	---------

## Terminal outlet - VS-TO-RO-MCBK-F1411/1413 - 1404333

### Accessories

#### Accessories

#### Data plug

RJ45 connector - VS-PPC-C1-RJ45-MNNA-PG9-8Q5 - 1608016



Push-pull connector (version 14), metal, with 8-pos. RJ45 QUICKON connector insert, with QUICKON fast connection technology, for 26 ... 22 AWG 1-wire and 7-wire conductors, for 5.0 mm ... 8.0 mm cable diameter

RJ45 connector - VS-PPC-C1-RJ45-POBK-PG9-8Q5 - 1657834



RJ45 connector, IP67, with push/pull interlocking, plastic housing, 1 Gbps, 8-pos., QUICKON fast connection technology, for 26 ... 24 AWG 1-wire and 7-wire conductors

RJ45 connector - VS-PPC-C1-RJ45-MNNA-PG9-4Q5 - 1608100



RJ45 connector, degree of protection: IP65/IP67, number of positions: 4, 100 Mbps, CAT5 (IEC 11801:2002), material: Zinc die-cast, connection method: IDC fast connection, connection cross section: AWG 26- 22, cable outlet: straight, color: silver

RJ45 connector - VS-PPC-C1-RJ45-POBK-PG9-4Q5 - 1608126



RJ45 connector, IP67, with push-pull interlocking, plastic housing, CAT5e, 4-pos., with QUICKON fast connection technology, for 1-wire and 7-wire conductors AWG 26 ... 22, for cable cross section 5.0 mm ... 8.0 mm

RJ45 connector - VS-PPC-C1-RJ45-MNNA-PG9-8I6 - 1608113



RJ45 connector, IP67, with push/pull interlocking (version 14), metal housing, for 1 Gbps, for 24 ... 25 AWG stranded conductors

## Terminal outlet - VS-TO-RO-MCBK-F1411/1413 - 1404333

### Accessories

---

#### RJ45 connector - VS-PPC-C1-RJ45-POBK-PG9-8I6 - 1608139



RJ45 connector, IP67, with push/pull interlocking (version 14), plastic housing, for 1 Gigabit, for 24 ... 25 AWG stranded conductors

---

#### Stripping tool - VS-CABLE-STRIP-VARIO - 1657407



Stripping tool, for the multi-level stripping of shielded cables

---

---