

Coupling - VS-MP-PPC/CG-PO/FO - 1404321

Please be informed that the data shown in this PDF Document is generated from our Online Catalog. Please find the complete data in the user's documentation. Our General Terms of Use for Downloads are valid (<http://phoenixcontact.com/download>)




Multi-port power and data connection: push/pull power and SC-RJ, for passive PROFINET cabling to robots, including mounting foot.

Product Description

Push/pull power and data coupling; version 14



Key Commercial Data

Packing unit	1 pc
GTIN	 4 046356 709705
GTIN	4046356709705
Weight per Piece (excluding packing)	460.000 g
Custom tariff number	85366990
Country of origin	Germany

Technical data

Mechanical characteristics

Weight	444.5 g
Type	Version 14

Ambient conditions

Ambient temperature (operation)	-40 °C ... 70 °C
---------------------------------	------------------

Material data

Housing material	Aluminum press-drawn section / die-cast zinc
Width	66 mm
Height	51 mm

Coupling - VS-MP-PPC/CG-PO/FO - 1404321

Technical data

Material data

Length	115 mm
--------	--------

Electrical characteristics

Nominal voltage U_N	24 V
Nominal current I_N	16 A

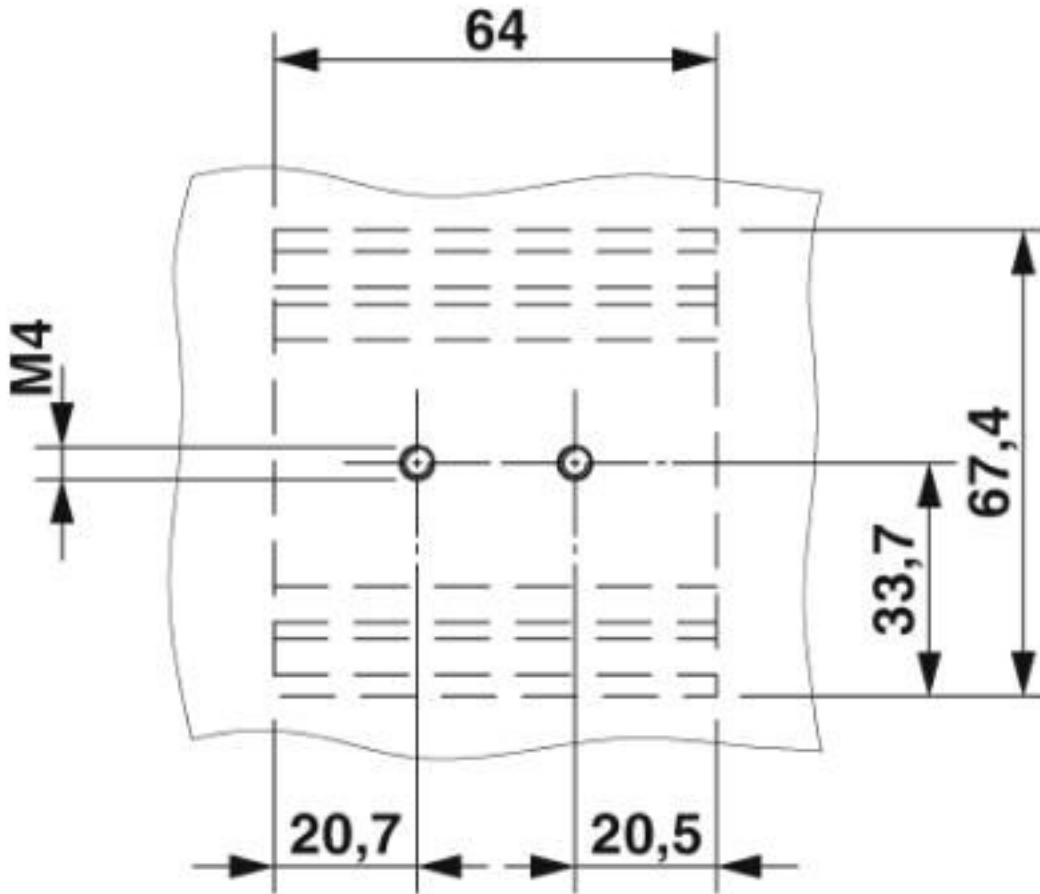
Environmental Product Compliance

REACH SVHC	Lead 7439-92-1
China RoHS	Environmentally Friendly Use Period = 50 years
	For details about hazardous substances go to tab "Downloads", Category "Manufacturer's declaration"

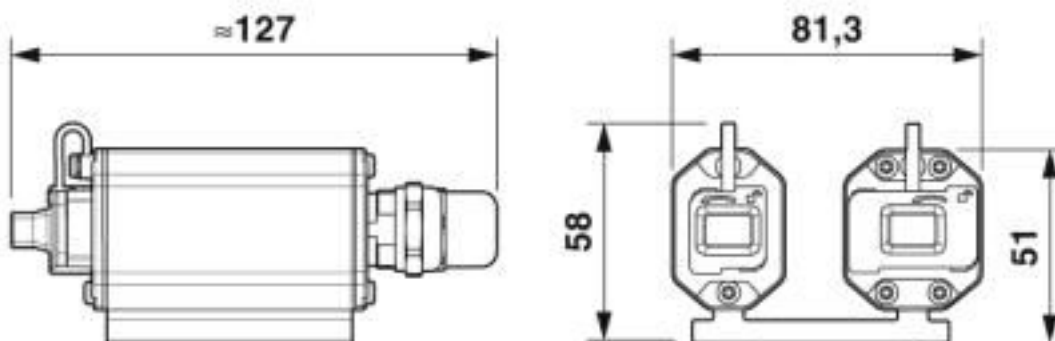
Drawings

Coupling - VS-MP-PPC/CG-PO/FO - 1404321

Drilling diagram



Dimensional drawing



Coupling - VS-MP-PPC/CG-PO/FO - 1404321

Classifications

eCl@ss

eCl@ss 10.0.1	19179290
eCl@ss 4.0	27060300
eCl@ss 4.1	27060300
eCl@ss 5.0	27061800
eCl@ss 5.1	27061800
eCl@ss 6.0	19179200
eCl@ss 7.0	19179290
eCl@ss 8.0	19179290
eCl@ss 9.0	19179290

ETIM

ETIM 3.0	EC000830
ETIM 4.0	EC001134
ETIM 5.0	EC001134
ETIM 6.0	EC000310
ETIM 7.0	EC000310

UNSPSC

UNSPSC 6.01	26121616
UNSPSC 7.0901	26121616
UNSPSC 11	26121604
UNSPSC 12.01	31261501
UNSPSC 13.2	43222604
UNSPSC 18.0	43222604
UNSPSC 19.0	43222604
UNSPSC 20.0	43222604
UNSPSC 21.0	43222604

Approvals

Approvals

Approvals


EAC

Ex Approvals

Coupling - VS-MP-PPC/CG-PO/FO - 1404321

Approvals

Approval details

EAC		B.01687
-----	---	---------