

Terminal outlet - VS-TO-RO-MCBK-F1417/1417 - 1404320

Please be informed that the data shown in this PDF Document is generated from our Online Catalog. Please find the complete data in the user's documentation. Our General Terms of Use for Downloads are valid (<http://phoenixcontact.com/download>)

Terminal outlet SC-RJ IP65/67 Push-Pull, 2 slots version 14, with protective plugs, 2 cable entries




Terminal outlet 2 x SC-RJ

Your advantages

- ✓ Easy installation, thanks to captive cover screws
- ✓ Robust design
- ✓ Including covers to protect against environmental influences
- ✓ Integrated cable management system
- ✓ For connection of 2 x SC-RJ IP65/67 push-pull connectors

Key Commercial Data

Packing unit	1 pc
GTIN	 4 046356 305426
GTIN	4046356305426
Weight per Piece (excluding packing)	695.000 g
Custom tariff number	85369095
Country of origin	Germany

Technical data

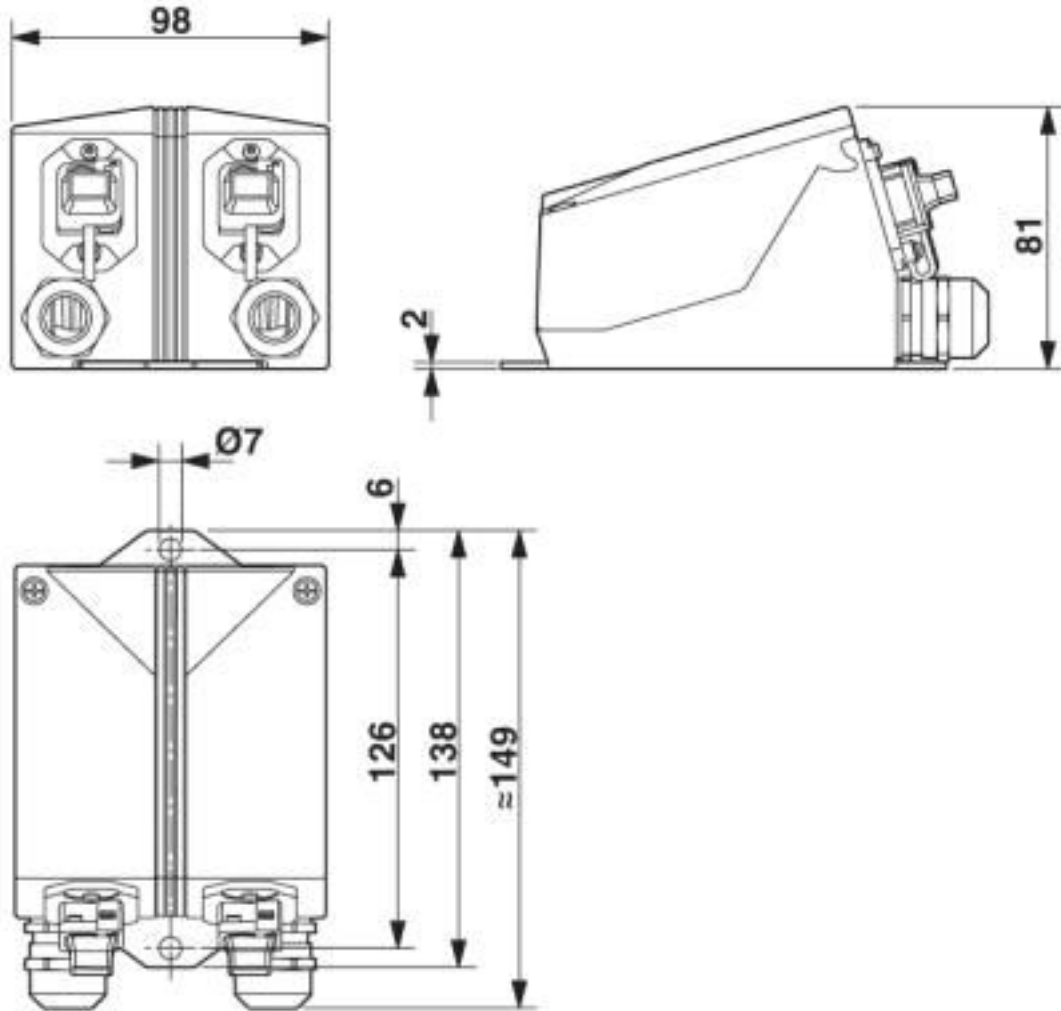
Environmental Product Compliance

REACH SVHC	Lead 7439-92-1
China RoHS	Environmentally Friendly Use Period = 50 years
	For details about hazardous substances go to tab "Downloads", Category "Manufacturer's declaration"

Terminal outlet - VS-TO-RO-MCBK-F1417/1417 - 1404320

Drawings

Dimensional drawing



Terminal outlet 2 x SC-RJ

Classifications

eCl@ss

eCl@ss 10.0.1	27440319
eCl@ss 4.0	27260700
eCl@ss 4.1	27260700
eCl@ss 5.0	27260700
eCl@ss 5.1	27269200

Terminal outlet - VS-TO-RO-MCBK-F1417/1417 - 1404320

Classifications

eCl@ss

eCl@ss 6.0	27269200
eCl@ss 7.0	27449203
eCl@ss 8.0	27440319
eCl@ss 9.0	27440319

ETIM

ETIM 3.0	EC001121
ETIM 4.0	EC002598
ETIM 5.0	EC002598
ETIM 6.0	EC001409
ETIM 7.0	EC001409

UNSPSC

UNSPSC 6.01	31261501
UNSPSC 7.0901	31261501
UNSPSC 11	31261501
UNSPSC 12.01	31261501
UNSPSC 13.2	31261501
UNSPSC 18.0	43223310
UNSPSC 19.0	43223310
UNSPSC 20.0	43223310
UNSPSC 21.0	43223310

Approvals

Approvals

Approvals

EAC

Ex Approvals

Approval details

EAC		B.01687
-----	--	---------

Terminal outlet - VS-TO-RO-MCBK-F1417/1417 - 1404320

Accessories

Accessories

Fiber optic connector (cable side)

FO connectors - VS-SCRJ-POF-FA-IP20 - 1654879



SC-RJ fiber optic connector, IP20, duplex, with fast connection technology, for polymer fiber 980/1000 µm, for individual wire diameter 2.2 mm

FO connectors - VS-PPC-C1-SCRJ-POBK-PG9-A4D-C - 1657850



SC-RJ fiber optic connector, IP67, with push-pull interlocking, plastic housing, duplex, with fast connection technology, for polymer fiber 980/1000 µm, for individual wire diameter 2.2 mm, for cable cross section 6.5 mm ... 9.5 mm

FO connectors - VS-SCRJ-HCS-FA-IP20-PN - 1404087



Fiber optic connector SC-RJ, IP20, duplex, with fast connection technology, for PROFINET, for PCF fiber 200/230 µm, for individual wire diameter 2.2 mm

FO connectors - VS-PPC-C1-SCRJ-POBK-PG9-A3C-C - 1657863



SC-RJ fiber optic connector, IP67, with push-pull interlocking, plastic housing, duplex, with fast connection technology, for PCF fiber 200/230 µm, for individual wire diameter 2.2 mm, for cable cross section 6.5 mm ... 9.5 mm

FO accessories - VS-SCRJ-POF-KONFTOOL-CUT - 1657096



SC-RJ cutting tool set, for polymer fiber, for field assembly of SC-RJ/IP20 and SC-RJ/IP67. Push-Pull connectors with fast connection technology, consisting of stripping tool, aramid scissors, SC-RJ cutting tool, microscope, 2x SC-RJ connectors IP20

Terminal outlet - VS-TO-RO-MCBK-F1417/1417 - 1404320

Accessories

Assembly tool - PSM-HCS-KONFTOOL/SC-RJ - 2708876



HCS assembly kit for SC-RJ quick mounting connectors, including stripping blade, stripping pliers, aramide yarn scissors, fiber stripper, microscope, fiber cleaving tool for standard HCS and HCS GI fibers, two SC-RJ connectors for standard HCS fiber, and documentation
