

## Terminal outlet - VS-TO-RO-MCBK-F1420/1420 - 1404317

Please be informed that the data shown in this PDF Document is generated from our Online Catalog. Please find the complete data in the user's documentation. Our General Terms of Use for Downloads are valid (<http://phoenixcontact.com/download>)



Terminal outlet SC-RJ IP65/67, 2 slots version 6, with protective plugs, 2 cable entries


Terminal outlet 2 x SC-RJ

### Your advantages

- ✓ Easy installation, thanks to captive cover screws
- ✓ Robust design
- ✓ Including covers to protect against environmental influences
- ✓ Integrated cable management system
- ✓ For the connection of 2x SC-RJ IP65/67 connectors



### Key Commercial Data

Packing unit	1 pc
GTIN	 4 046356 305419
GTIN	4046356305419
Weight per Piece (excluding packing)	700.000 g
Custom tariff number	85369095
Country of origin	Germany

### Technical data

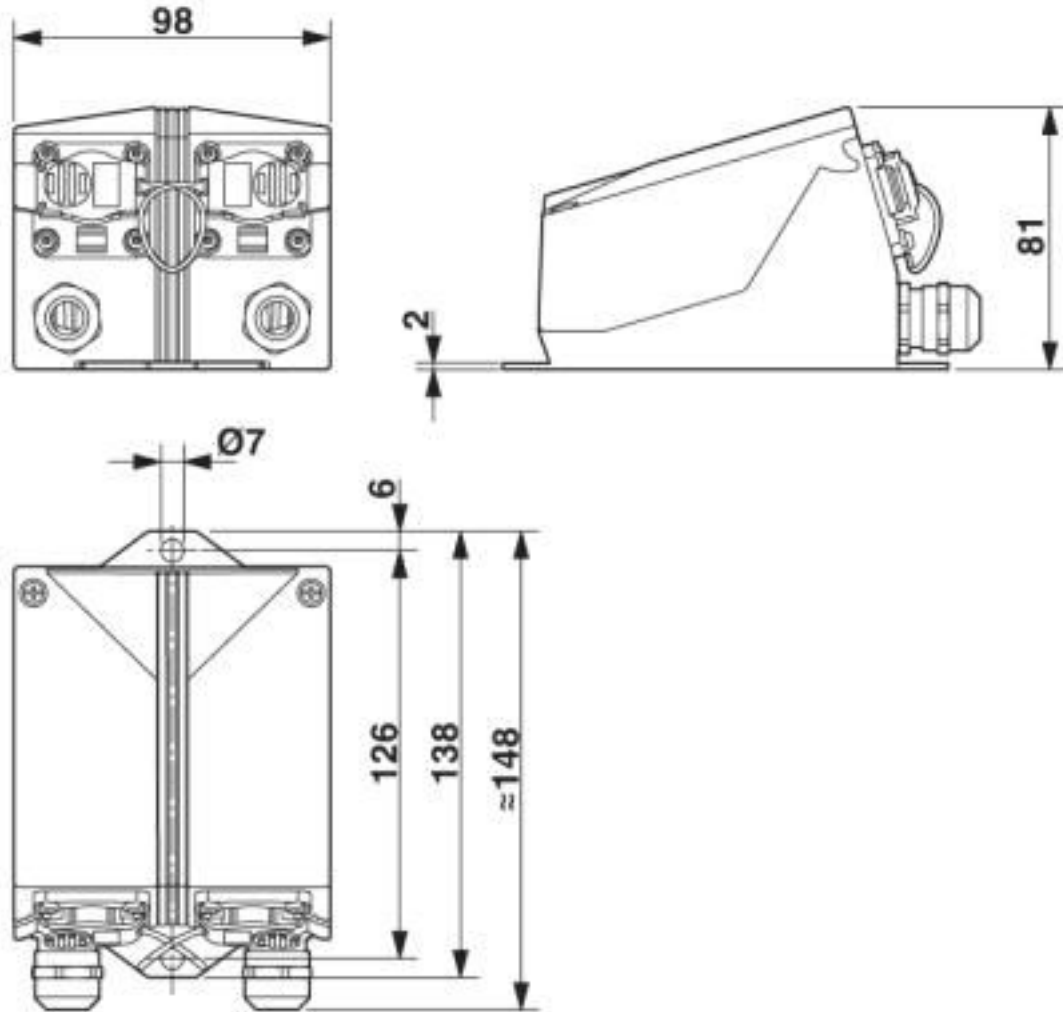
#### Environmental Product Compliance

China RoHS	Environmentally friendly use period: unlimited = EFUP-e
	No hazardous substances above threshold values

### Drawings

# Terminal outlet - VS-TO-RO-MCBK-F1420/1420 - 1404317

Dimensional drawing



Terminal outlet 2 x SC-RJ

## Classifications

eCl@ss

eCl@ss 10.0.1	27440319
eCl@ss 4.0	27260700
eCl@ss 4.1	27260700
eCl@ss 5.0	27260700
eCl@ss 5.1	27269200
eCl@ss 6.0	27269200

# Terminal outlet - VS-TO-RO-MCBK-F1420/1420 - 1404317

## Classifications

### eCl@ss

eCl@ss 7.0	27449203
eCl@ss 8.0	27440319
eCl@ss 9.0	27440319

### ETIM

ETIM 3.0	EC001121
ETIM 4.0	EC002598
ETIM 5.0	EC002598
ETIM 6.0	EC001409
ETIM 7.0	EC001409

### UNSPSC

UNSPSC 6.01	31261501
UNSPSC 7.0901	31261501
UNSPSC 11	31261501
UNSPSC 12.01	31261501
UNSPSC 13.2	31261501
UNSPSC 18.0	43223310
UNSPSC 19.0	43223310
UNSPSC 20.0	43223310
UNSPSC 21.0	43223310

## Approvals

### Approvals

---

Approvals


EAC

---

Ex Approvals

---

### Approval details

EAC		B.01687
-----	---	---------

## Terminal outlet - VS-TO-RO-MCBK-F1420/1420 - 1404317

### Accessories

#### Accessories

#### Fiber optic connector (cable side)

##### FO connectors - VS-SCRJ-POF-FA-IP20 - 1654879



SC-RJ fiber optic connector, IP20, duplex, with fast connection technology, for polymer fiber 980/1000  $\mu\text{m}$ , for individual wire diameter 2.2 mm

---

##### FO connectors - VS-SCRJ-POF-FA-IP67 - 1657009



SC-RJ fiber optic connector, IP67, duplex, with fast connection technology, for polymer fiber 980/1000  $\mu\text{m}$ , for individual wire diameter 2.2 mm, for cable cross section 5.0 mm ... 8.5 mm

---

##### FO connectors - VS-SCRJ-HCS-FA-IP20 - 1654866



SC-RJ fiber optic connector, IP20, duplex, with fast connection technology, for PCF fiber 200/230  $\mu\text{m}$ , for individual wire diameter 2.9 mm

---

##### FO connectors - VS-SCRJ-HCS-FA-IP67 - 1657012



SC-RJ fiber optic connector, IP67, duplex, with fast connection technology, for PCF fiber 200/230  $\mu\text{m}$ , for individual wire diameter 2.9 mm, for cable cross section 5.0 mm ... 8.5 mm

---

##### FO accessories - VS-SCRJ-POF-KONFTOOL-CUT - 1657096



SC-RJ cutting tool set, for polymer fiber, for field assembly of SC-RJ/IP20 and SC-RJ/IP67. Push-Pull connectors with fast connection technology, consisting of stripping tool, aramid scissors, SC-RJ cutting tool, microscope, 2x SC-RJ connectors IP20

## Terminal outlet - VS-TO-RO-MCBK-F1420/1420 - 1404317

### Accessories

---

Tool set - FOC-TOOL-PCF KONF SET - 1411051



Tool set for PCF assembly, for 200/230  $\mu\text{m}$ , 50/200/230  $\mu\text{m}$ , and 62.5/200/230  $\mu\text{m}$  PCF fibers

---

Tool set - FOC-TOOL-GOF KONF SET - 1411049



Tool set for GOF assembly

---