

## Terminal outlet - VS-TO-RO-MCBK-F1422/1422 - 1404304

Please be informed that the data shown in this PDF Document is generated from our Online Catalog. Please find the complete data in the user's documentation. Our General Terms of Use for Downloads are valid (<http://phoenixcontact.com/download>)



Terminal outlet M12 IP65/67, 2 slots 8-pos. A-coded, with protective plugs, 2 cable entries


Terminal outlet 2xM12 8-pos.

### Your advantages

- ✓ Easy installation, thanks to captive cover screws
- ✓ Robust design
- ✓ Integrated cable management system



### Key Commercial Data

Packing unit	1 pc
GTIN	 4 046356 305402
GTIN	4046356305402
Weight per Piece (excluding packing)	700.000 g
Custom tariff number	85369095
Country of origin	Germany

### Technical data

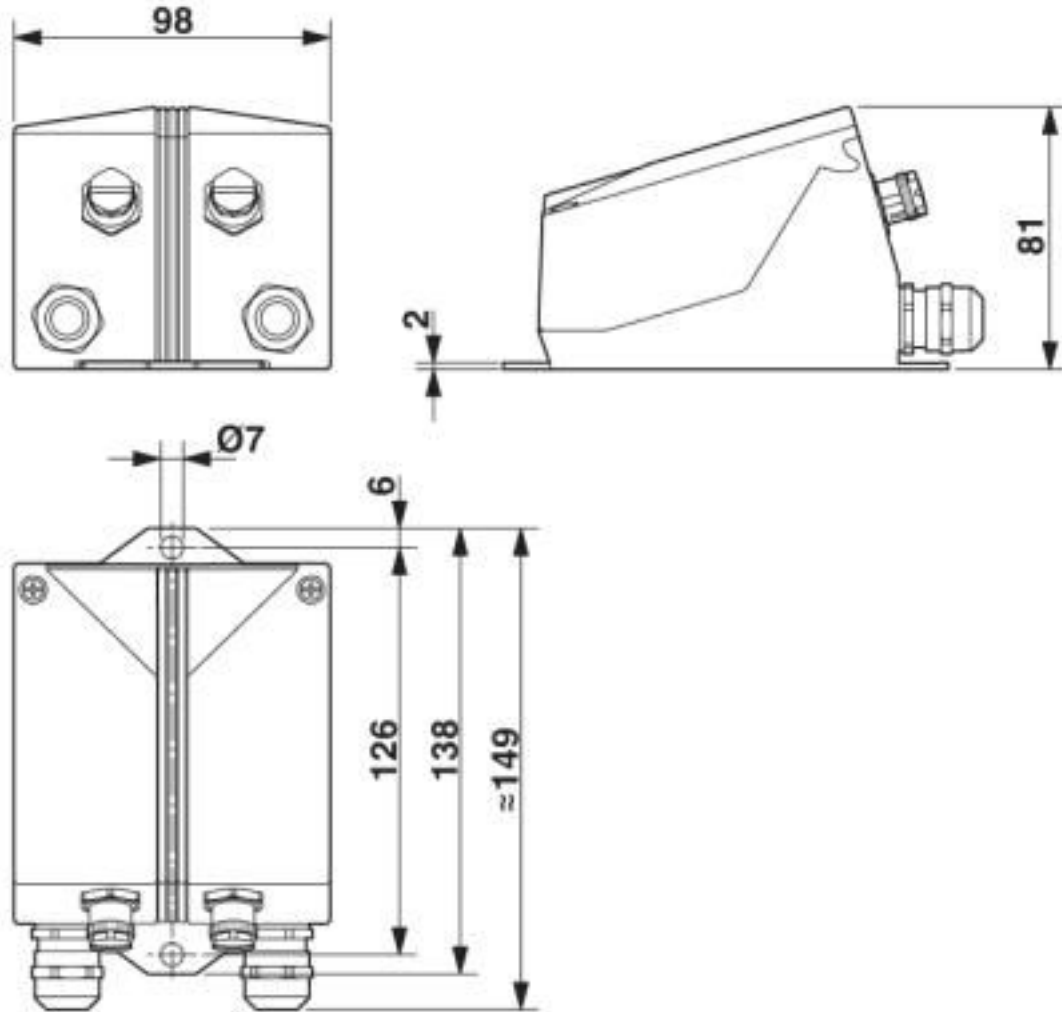
#### Environmental Product Compliance

China RoHS	Environmentally friendly use period: unlimited = EFUP-e
	No hazardous substances above threshold values

### Drawings

# Terminal outlet - VS-TO-RO-MCBK-F1422/1422 - 1404304

Dimensional drawing



Terminal outlet 2xM12 8-pos.

## Classifications

eCl@ss

eCl@ss 10.0.1	27440319
eCl@ss 4.0	27260700
eCl@ss 4.1	27260700
eCl@ss 5.0	27260700
eCl@ss 5.1	27269200
eCl@ss 6.0	27269200

# Terminal outlet - VS-TO-RO-MCBK-F1422/1422 - 1404304

## Classifications

### eCl@ss

eCl@ss 7.0	27449203
eCl@ss 8.0	27440319
eCl@ss 9.0	27440319

### ETIM

ETIM 3.0	EC001121
ETIM 4.0	EC002598
ETIM 5.0	EC002598
ETIM 6.0	EC001409
ETIM 7.0	EC001409

### UNSPSC

UNSPSC 6.01	31261501
UNSPSC 7.0901	31261501
UNSPSC 11	31261501
UNSPSC 12.01	31261501
UNSPSC 13.2	31261501
UNSPSC 18.0	43223310
UNSPSC 19.0	43223310
UNSPSC 20.0	43223310
UNSPSC 21.0	43223310

## Approvals

### Approvals

---

Approvals


EAC

---

Ex Approvals

---

### Approval details

EAC		B.01687
-----	---	---------

## Terminal outlet - VS-TO-RO-MCBK-F1422/1422 - 1404304

### Accessories

#### Accessories

Circular connector (cable-side)

Bus system connector - SACC-M12MS-8Q SH - 1543236



Bus system connector, Ethernet CAT5 (1 Gbps), 8-position, shielded, Plug straight M12, Coding: A, Insulation displacement connection, knurl material: Zinc die-cast, nickel-plated, external cable diameter 4 mm ... 8 mm

---

### Data plug

RJ45 connector - VS-08-RJ45-5-Q/IP20 - 1656725



RJ45 connector, degree of protection: IP20, number of positions: 8, 1 Gbps, CAT5 (IEC 11801:2002), material: PA, connection method: IDC fast connection, connection cross section: AWG 26- 23, cable outlet: straight, color: traffic grey A RAL 7042

---

Stripping tool - VS-CABLE-STRIP-VARIO - 1657407



Stripping tool, for the multi-level stripping of shielded cables