

## Housing - HC-ADV-B24-HHWH-1TGM32-PL - 1404235

Please be informed that the data shown in this PDF Document is generated from our Online Catalog. Please find the complete data in the user's documentation. Our General Terms of Use for Downloads are valid (<http://phoenixcontact.com/download>)




Sleeve housing B24, with screw locking, material: PA, cable outlets: 1, straight, height: 95 mm, cable gland: with, support sleeve: no, 1x M32, Standard

### Your advantages

- Integrated screw connection
- Lower costs than metal version
- Can also be used without panel mounting base
- Labeling option using 9 x 20 mm marking label
- Low weight
- Lower risk of condensation
- Both contact insert PE sheets are connected by means of a metal frame integrated in the sleeve housing
- Capacitive PE, even when connected at an angle
- Completely corrosion-resistant
- Halogen-free plastic
- Impact test according to IK 08



### Key Commercial Data

|                                      |   |
|--------------------------------------|---|
| Packing unit                         | 1 pc  |
| GTIN                                 | <br>4 046356 682060 |
| GTIN                                 | 4046356682060   |
| Weight per Piece (excluding packing) | 200.000 g   |
| Custom tariff number                 | 85366990  |
| Country of origin                    | Germany   |

# Housing - HC-ADV-B24-HHWH-1TGM32-PL - 1404235

## Technical data

### Dimensions

|                               |                 |
|-------------------------------|-----------------|
| Height                        | 95 mm           |
| Width                         | 57 mm           |
| Length                        | 152 mm          |
| Wrench size, union nut        | 30 mm           |
| External cable diameter       | 11 mm ... 21 mm |
| Length of the assembly cutout | 112 mm          |
| Width of the assembly cutout  | 35 mm           |

### Ambient conditions

|                                      |                   |
|--------------------------------------|-------------------|
| Degree of protection of housing (IP) | IP66              |
|                                      | IP67              |
| Ambient temperature (operation)      | -40 °C ... 100 °C |

### General

|  |  |
|--|--|
| Note                                   | For contact inserts HC-B24, BB46, D64, DD108, M, K, HV10-I-PT, HV 10-E...C |
| Size                                   | B24  |
| Housing type                           | Sleeve housing   |
| Color                                  | black  |
| Locking type                           | with screw locking   |
| Torque                                 | 3 Nm (Locking screw)   |
| Fixing screws                          | M6 (screw head: 5 mm Allen screw)  |
| No. of cable outlets                   | 1  |
| Cable outlet                           | straight   |
| Screw connection                       | with   |
| Type of the screw connection           | 1x M32   |
| Housing material                       | PA   |
| Seal material                          | NBR  |
| Cable seal material                    | NBR  |
| Material lock                          | Stainless steel  |
| Material of locking screw              | Stainless steel  |
| Flammability rating according to UL 94 | V0   |
| Assembly instructions                  | M6 locking screw, with 5 mm Allen screw head                               |

### Standards and Regulations

|  |    |
|--|----|
| Flammability rating according to UL 94 | V0 |
|--|----|

### Environmental Product Compliance

|            |   |
|------------|---|
| China RoHS | Environmentally friendly use period: unlimited = EFUP-e |
|------------|---|

# Housing - HC-ADV-B24-HHWH-1TGM32-PL - 1404235

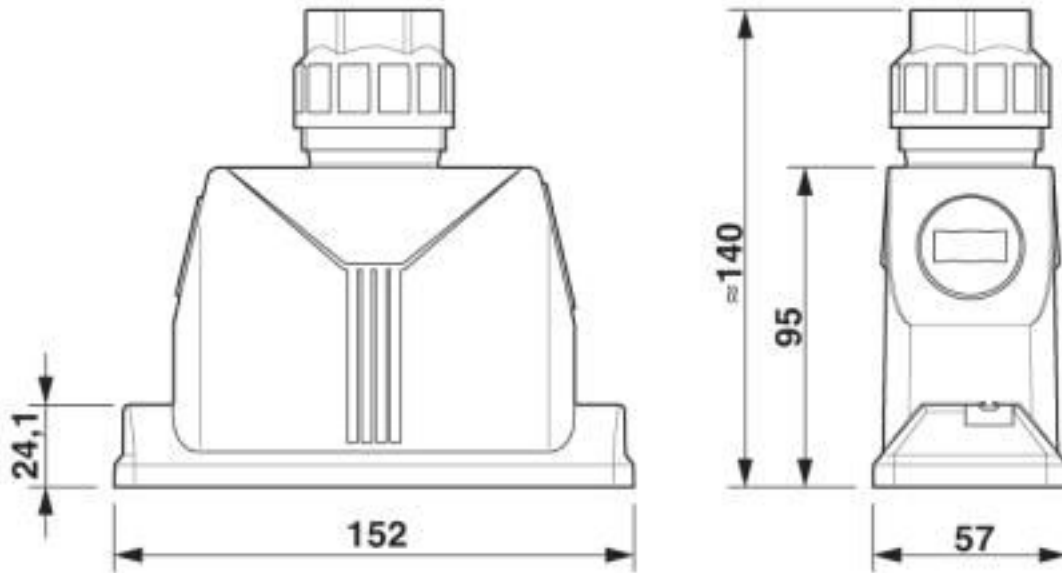
Technical data

Environmental Product Compliance

|  |
|--|
| No hazardous substances above threshold values |
|--|

## Drawings

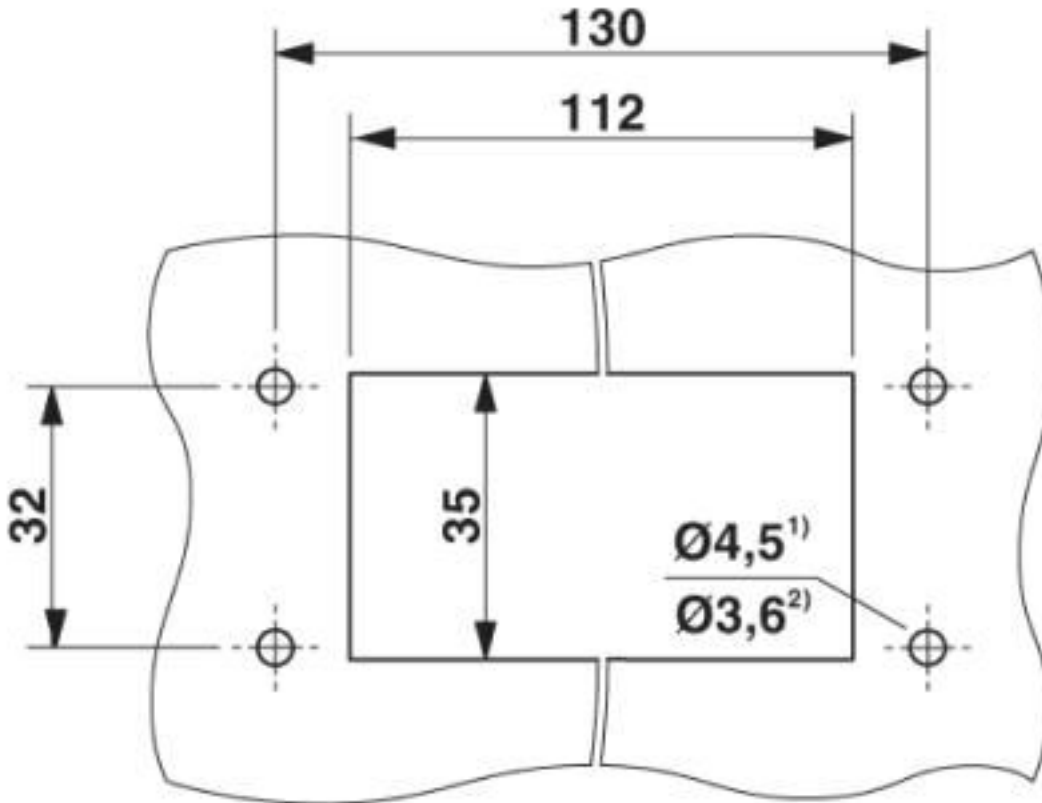
Dimensional drawing



Dimensional drawing

# Housing - HC-ADV-B24-HHWH-1TGM32-PL - 1404235

Dimensional drawing



Mounting cutout

1) when M4 screws are used

2) when self-tapping Torx® screws are used (Torx® 20, M4)

## Classifications

eCl@ss

|               |          |
|---------------|----------|
| eCl@ss 10.0.1 | 27440202 |
| eCl@ss 4.0    | 27140800 |
| eCl@ss 4.1    | 27140800 |
| eCl@ss 5.0    | 27143400 |
| eCl@ss 5.1    | 27261200 |
| eCl@ss 6.0    | 27261200 |
| eCl@ss 7.0    | 27440202 |
| eCl@ss 8.0    | 27440202 |
| eCl@ss 9.0    | 27440202 |

# Housing - HC-ADV-B24-HHWH-1TGM32-PL - 1404235

## Classifications

### ETIM

|          |          |
|----------|----------|
| ETIM 3.0 | EC000516 |
| ETIM 4.0 | EC000437 |
| ETIM 5.0 | EC000437 |
| ETIM 6.0 | EC000437 |
| ETIM 7.0 | EC000437 |

### UNSPSC

|               |          |
|---------------|----------|
| UNSPSC 6.01   | 31261502 |
| UNSPSC 7.0901 | 31261502 |
| UNSPSC 11     | 31261502 |
| UNSPSC 12.01  | 31261502 |
| UNSPSC 13.2   | 31261501 |
| UNSPSC 18.0   | 31261501 |
| UNSPSC 19.0   | 31261501 |
| UNSPSC 20.0   | 31261501 |
| UNSPSC 21.0   | 31261501 |

## Approvals

### Approvals

Approvals

EAC / DNV GL

Ex Approvals

### Approval details

|     |  |                          |
|-----|--|--------------------------|
| EAC |  | RU C-<br>DE.AI30.B.01102 |
|-----|--|--------------------------|

|        |  |   |            |
|--------|--|---|------------|
| DNV GL |  | <a href="https://approvalfinder.dnvgl.com/">https://approvalfinder.dnvgl.com/</a> | TAE000037S |
|--------|--|---|------------|

## Housing - HC-ADV-B24-HHWH-1TGM32-PL - 1404235

### Accessories

#### Accessories

#### Device marking

#### Snap-in markers - US-EMP (20X9) - 0829439



Snap-in markers, Card, white, unlabeled, can be labeled with: BLUEMARK ID COLOR, BLUEMARK ID, THERMOMARK PRIME, THERMOMARK CARD 2.0, THERMOMARK CARD, mounting type: snapped into marker carrier, lettering field size: 20 x 9 mm, Number of individual labels: 70

---

### Extension adapter

#### Extension adapter - ENLAR-M-KV-M32/M40 - 1647682



Step-up adapter, M32 to M40, including O-ring

---

### Full screw connection

#### Cable gland - G-INS-M32-M68N-PNES-GY - 1411127



Cable gland, cable gland material: PA, external cable diameter 15 mm ... 21 mm, shielding: no, connecting thread: M32 x 1.5, color: silver-gray RAL 7001

---

#### Cable gland - G-INS-M32-M68N-PNES-BK - 1411136



Cable gland, cable gland material: PA, external cable diameter 15 mm ... 21 mm, shielding: no, connecting thread: M32 x 1.5, color: jet black RAL 9005

## Housing - HC-ADV-B24-HHWH-1TGM32-PL - 1404235

### Accessories

Cable gland - G-INS-M32-M68N-NNES-S - 1411166



Cable gland, cable gland material: Nickel-plated brass, external cable diameter 15 mm ... 21 mm, shielding: no, connecting thread: M32 x 1.5, color: silver, with O-ring

---

Cable gland - HC-M-KV-M32(19-27) - 1646010



Metal screw connection up to 5 bar, thread length: 8 mm, cable diameter: 19 - 27 mm, WAF 43, screw connection: M32

---

Cable gland - G-INSEC-M32-M68N-NCRS-S - 1411191



Cable gland, cable gland material: Nickel-plated brass, external cable diameter 14 mm ... 21 mm, shielding: yes, connecting thread: M32 x 1.5, color: silver, with O-ring

---

Cable gland - HC-M-KV-Z-M32 - 1646162



Metal screw connection with strain relief clamp, thread length: 8 mm, cable sealing area: 18 - 27 mm, clamping area: 19 - 30 mm, SW 40, screw connection: M32

---

Cable gland - HC-M-KV-T-M32 - 1646201



Metal screw connection with cable bend protection and strain relief, thread length: 8 mm, cable sealing area: 18 - 27 mm, clamping area: 20 - 30 mm, SW 40, screw connection: M32

---

### Mounting material

## Housing - HC-ADV-B24-HHWH-1TGM32-PL - 1404235

### Accessories

Screw - HC-B-TMS-ERSSCHR-IMB - 1409244



Replacement locking screw, M6, stainless steel, for HEAVYCON-ADVANCE housing, HC-B...TMS...EEE design, 5 mm Allen screw

---

### Panel mounting flange

Mounting flange - HC-B-AF - 1686533



Panel mounting flange for HEAVYCON-ADVANCE TMS housing with screw locking

---

Mounting flange - HC-B-AF-SET - 1604638



Panel mounting flange for screw locking, set comprising 2 panel mounting flanges with 4 self-tapping screws (M4, Torx®) and 4 fan-type washers

---

### Plug for cable screw gland

Screw plug - HC-M-BS-M32 - 1645862



Screw plug, cable gland material: Nickel-plated brass, connecting thread: M32 x 1.5, color: silver

---

### Reducing adapter



## Housing - HC-ADV-B24-HHWH-1TGM32-PL - 1404235

### Accessories

Reducing adapter - REDUC-M-KV-M32/M25 - 1647637



Reducing adapter, material: Brass, nickel-plated, connecting thread: M32 x 1.5, color: silver, with O-ring

---

### Screwdriver tools

Screwdriver - SF-M BH - 1212070



Bit screwdriver, with 1/4" quick-action chuck, handle length 119 mm, 2-component handle, with non-slip grip, suitable for bits according to DIN 3126-C 6.3 and E 6.3/ISO 1173, magnetic

---

Screwdriver - SF-BIT-HEXB 5-89 - 1208911



Screw bit, hexagonal with ball head, E6.3-1/4" drive, size: Hex 5 x 89 mm, hardened, suitable for holder according to DIN 3126-F 6.3/ISO 1173