

## DIN rail mounting frame - HC-CIF-B10-HFFD-WH-AL - 1404221

Please be informed that the data shown in this PDF Document is generated from our Online Catalog. Please find the complete data in the user's documentation. Our General Terms of Use for Downloads are valid (<http://phoenixcontact.com/download>)



HEAVYCON DIN rail mounting frame, upper part for double locking latch, for HC-CIF...BFWD.. lower parts with double locking latch or for HC-CIF...BFFD.. lower parts, for type B10 contact inserts, with M4 screws with 3 mm Allen screw head, for NS35/7,5 DIN rails

### Your advantages

- ✓ Sturdy metal version
- ✓ Open base, pre-assembled cable harnesses can be used
- ✓ Standardized design; both PE sheets for inserts are connected conductively
- ✓ Safe capacitive PE even when connected slightly askew



### Key Commercial Data

Packing unit	1 pc
GTIN	 4 046356 681933
GTIN	4046356681933
Weight per Piece (excluding packing)	100.000 g
Custom tariff number	85389099
Country of origin	Poland

### Technical data

#### Dimensions

Length	103.2 mm
Width	56 mm
Height	49 mm

#### Ambient conditions

Ambient temperature (operation)	-40 °C ... 125 °C
---------------------------------	-------------------

## DIN rail mounting frame - HC-CIF-B10-HFFD-WH-AL - 1404221

### Technical data

#### General

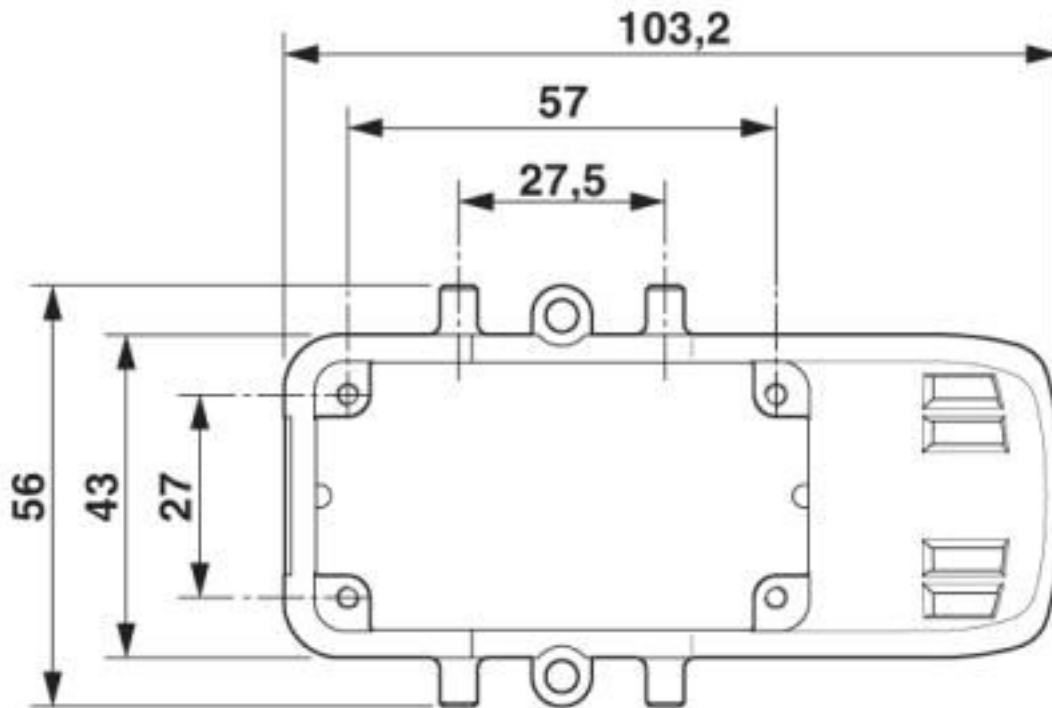
Size	For B10
Material	Cast aluminum, uncoated
Connection	For screw locking: M4, 3 mm Allen screw, 2 Nm tightening torque

#### Environmental Product Compliance

China RoHS	Environmentally friendly use period: unlimited = EFUP-e
	No hazardous substances above threshold values

### Drawings

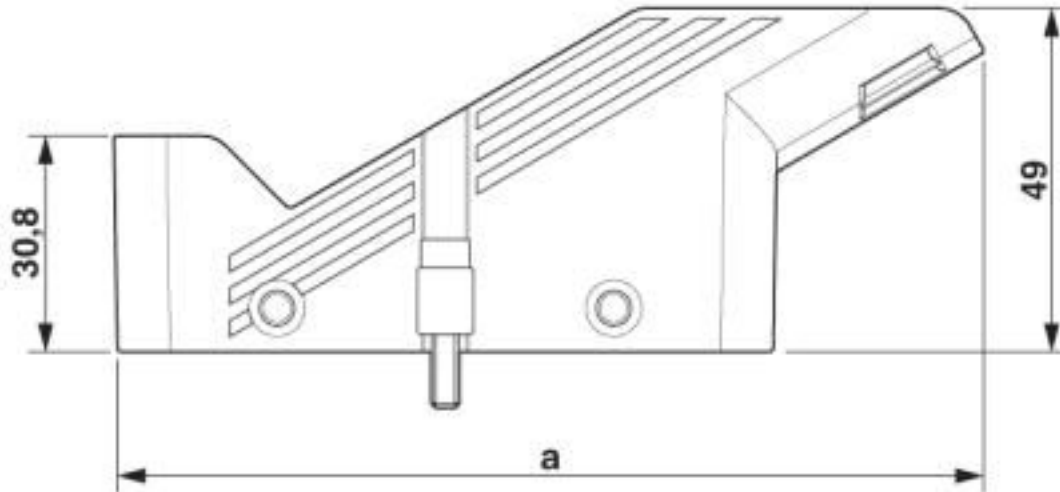
Dimensional drawing



Dimensional drawing top view

## DIN rail mounting frame - HC-CIF-B10-HFFD-WH-AL - 1404221

Dimensional drawing



Dimensional drawing

### Classifications

#### eCl@ss

eCl@ss 10.0.1	27440210
eCl@ss 4.0	27140800
eCl@ss 4.1	27140800
eCl@ss 5.0	27143400
eCl@ss 5.1	27143400
eCl@ss 6.0	27261200
eCl@ss 7.0	27440206
eCl@ss 8.0	27440206
eCl@ss 9.0	27440210

#### ETIM

ETIM 3.0	EC002310
ETIM 4.0	EC002310
ETIM 5.0	EC002310
ETIM 6.0	EC002310
ETIM 7.0	EC002310

#### UNSPSC

UNSPSC 6.01	43172601
UNSPSC 7.0901	39121416

# DIN rail mounting frame - HC-CIF-B10-HFFD-WH-AL - 1404221

## Classifications

### UNSPSC

UNSPSC 11	43172601
UNSPSC 12.01	39121408
UNSPSC 13.2	39121421
UNSPSC 18.0	39121421
UNSPSC 19.0	39121421
UNSPSC 20.0	39121421
UNSPSC 21.0	39121421

## Approvals

### Approvals

---

#### Approvals

EAC

---

#### Ex Approvals

---

### Approval details

EAC		RU C- DE.AI30.B.01102
-----	--	--------------------------

## Accessories

### Accessories

#### Device marking

Plastic label - US-EMLP (20X9) SR - 0828884



Plastic label, Card, silver, unlabeled, can be labeled with: BLUEMARK ID COLOR, BLUEMARK ID, THERMOMARK PRIME, THERMOMARK CARD 2.0, THERMOMARK CARD, mounting type: adhesive, lettering field size: 20 x 9 mm, Number of individual labels: 75

### Additional products

## DIN rail mounting frame - HC-CIF-B10-HFFD-WH-AL - 1404221

### Accessories

DIN rail mounting frame - HC-CIF-B10-BFFD-FH-AL - 1404219



HEAVYCON DIN rail mounting frame, lower part for double locking latch, for sleeve housing with double locking latch or HC-CIF-..HFFD.., for type B10 contact inserts, for NS35/7,5 DIN rails

---

DIN rail mounting frame - HC-CIF-B10-BFWD-FH-AL - 1404220



HEAVYCON DIN rail mounting frame, lower part with double locking latch, for housing without double locking latch or HC-CIF-..HFFD.. upper part, for type B10 contact inserts, for NS35/7,5 DIN rails