

## DIN rail mounting frame - HC-CIF-B24-BFFD-FH-AL - 1404211

Please be informed that the data shown in this PDF Document is generated from our Online Catalog. Please find the complete data in the user's documentation. Our General Terms of Use for Downloads are valid (<http://phoenixcontact.com/download>)



HEAVYCON DIN rail mounting frame, lower part for double locking latch, for sleeve housing with double locking latch or HC-CIF..HFFD..., for type B24 contact inserts, for NS 35/7,5 DIN rails

### Your advantages

- ✓ Sturdy metal version
- ✓ Open base, pre-assembled cable harnesses can be used
- ✓ Standardized design; both PE sheets for inserts are connected conductively
- ✓ Safe capacitive PE even when connected slightly askew



### Key Commercial Data

Packing unit	1 pc
GTIN	 4 046356 680233
GTIN	4046356680233
Weight per Piece (excluding packing)	200.000 g
Custom tariff number	85389099
Country of origin	Poland

### Technical data

#### Dimensions

Length	120 mm
Width	56 mm
Height	85 mm

#### Ambient conditions

Ambient temperature (operation)	-40 °C ... 125 °C
---------------------------------	-------------------

# DIN rail mounting frame - HC-CIF-B24-BFFD-FH-AL - 1404211

## Technical data

### General

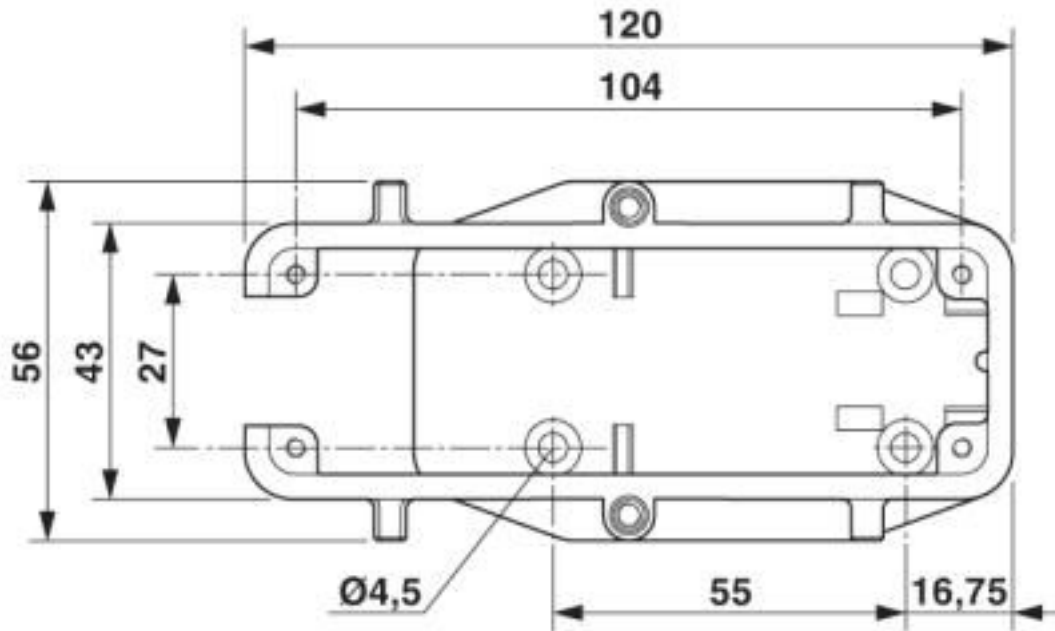
Size	For B24
Material	Cast aluminum, uncoated
Mounting type	DIN rail: 35 mm

### Environmental Product Compliance

China RoHS	Environmentally friendly use period: unlimited = EFUP-e
	No hazardous substances above threshold values

## Drawings

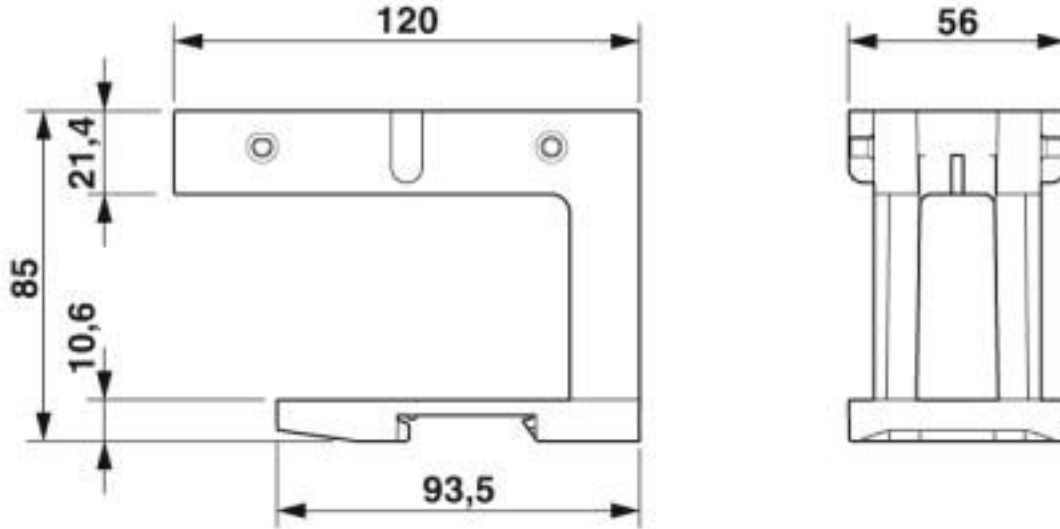
Dimensional drawing



Dimensional drawing top view

# DIN rail mounting frame - HC-CIF-B24-BFFD-FH-AL - 1404211

Dimensional drawing



Dimensional drawing

## Classifications

### eCl@ss

eCl@ss 10.0.1	27440210
eCl@ss 4.0	27140800
eCl@ss 4.1	27140800
eCl@ss 5.0	27143400
eCl@ss 5.1	27143400
eCl@ss 6.0	27261200
eCl@ss 7.0	27440206
eCl@ss 8.0	27440206
eCl@ss 9.0	27440210

### ETIM

ETIM 3.0	EC002310
ETIM 4.0	EC002310
ETIM 5.0	EC002310
ETIM 6.0	EC002310
ETIM 7.0	EC002310

### UNSPSC

UNSPSC 6.01	43172601
-------------	----------

# DIN rail mounting frame - HC-CIF-B24-BFFD-FH-AL - 1404211

## Classifications

### UNSPSC

UNSPSC 7.0901	39121416
UNSPSC 11	43172601
UNSPSC 12.01	39121408
UNSPSC 13.2	39121421
UNSPSC 18.0	39121421
UNSPSC 19.0	39121421
UNSPSC 20.0	39121421
UNSPSC 21.0	39121421

## Approvals

### Approvals

---

Approvals

EAC

---

Ex Approvals

---

### Approval details

EAC		RU C- DE.AI30.B.01102
-----	--	--------------------------

## Accessories

### Accessories

#### Adapter

Adapter insert - HC-CIF-D25-AIWS-SM-NI - 1424341



Adapter insert, type: D25

### Additional products

---

## DIN rail mounting frame - HC-CIF-B24-BFFD-FH-AL - 1404211

### Accessories

DIN rail mounting frame - HC-CIF-B24-HFFD-WH-AL - 1404213



HEAVYCON DIN rail mounting frame, upper part for double locking latch, for HC-CIF...BFWD.. lower parts with double locking latch or for HC-CIF...BFFD.. lower parts, for type B24 contact inserts, with M4 screws with 3 mm Allen screw head, for NS35/7,5 DIN rails