

Patch cable - VS-PNRJ45-PNRJ45-93K-10 - 1403874

Please be informed that the data shown in this PDF Document is generated from our Online Catalog. Please find the complete data in the user's documentation. Our General Terms of Use for Downloads are valid (<http://phoenixcontact.com/download>)



Sercos III patch cable, shielded, star-quad, 22 AWG stranded (7-wire), RAL 3020 (traffic red), RJ45 plug/IP20, straight, to RJ45 plug/IP20, straight, length: 10 m

Sercos III patch cable



sercos
PROFINET-BA

Key Commercial Data

| | |
|--------------------------------------|---|
| Packing unit | 1 pc |
| GTIN |  4 046356 671286 |
| GTIN | 4046356671286 |
| Weight per Piece (excluding packing) | 680.000 g |
| Custom tariff number | 85444210 |
| Country of origin | Poland |

Technical data

Dimensions

| | |
|-----------------|---------|
| Length of cable | 10.00 m |
|-----------------|---------|

Ambient conditions

| | |
|---------------------------------|---|
| Degree of protection | IP20 |
| Ambient temperature (operation) | -20 °C ... 70 °C (cable, flexible installation) |

General data

| | |
|-----------------------|-----------|
| Number of positions | 4 |
| Overvoltage category | I |
| Degree of pollution | 1 |
| Locking type | Push Pull |
| Rated voltage (III/3) | 72 V (DC) |

Patch cable - VS-PNRJ45-PNRJ45-93K-10 - 1403874

Technical data

General data

| | |
|----------------------|------|
| Degree of protection | IP20 |
|----------------------|------|

Characteristics head 1

| | |
|----------|-----|
| Shielded | yes |
|----------|-----|

Standards and Regulations

| | |
|--|----|
| Flammability rating according to UL 94 | V0 |
|--|----|

Cable

| | |
|---|-----------------------------------|
| Cable type | Sercos III |
| Cable type (abbreviation) | 93K |
| UL AWM style | 21694 (60°C / 600 V) |
| Signal type/category | Sercos CAT5 (IEC 11801), 100 Mbps |
| Cable structure | 1x4xAWG22/7; SF/TQ |
| Conductor cross section | 4x 0.34 mm ² |
| AWG signal line | 22 |
| Conductor structure signal line | 7x 0.25 mm |
| Core diameter including insulation | approx. 1.55 mm |
| Wire colors | White, yellow, blue, orange |
| Type of pair shielding | Aluminum-lined polyester foil |
| Overall twist | Star quad |
| Shielding | Tinned copper braided shield |
| External sheath, color | signal red RAL 3020 |
| Outer sheath thickness | approx. 0.9 mm |
| External cable diameter D | 6.5 mm ±0.2 mm |
| Minimum bending radius, fixed installation | 3 x D |
| Minimum bending radius, flexible installation | 7 x D |
| Cable weight | 68 kg/km |
| Outer sheath, material | PVC |
| Material, inner sheath | PVC |
| Material conductor insulation | PE |
| Conductor material | Tin-plated Cu litz wires |
| Insulation resistance | ≥ 0.5 GΩ*km |
| Conductor resistance | ≤ 120 Ω/km |
| Wave impedance | 100 Ω ±15 Ω (at 100 MHz) |
| Signal runtime | 5.3 ns/m |
| Coupling resistance | ≤ 20.00 mΩ/m (at 10 Hz) |
| Nominal voltage, cable | 600 V |
| Test voltage Core/Core | 2000 V (50 Hz, 1 min.) |

Patch cable - VS-PNRJ45-PNRJ45-93K-10 - 1403874

Technical data

Cable

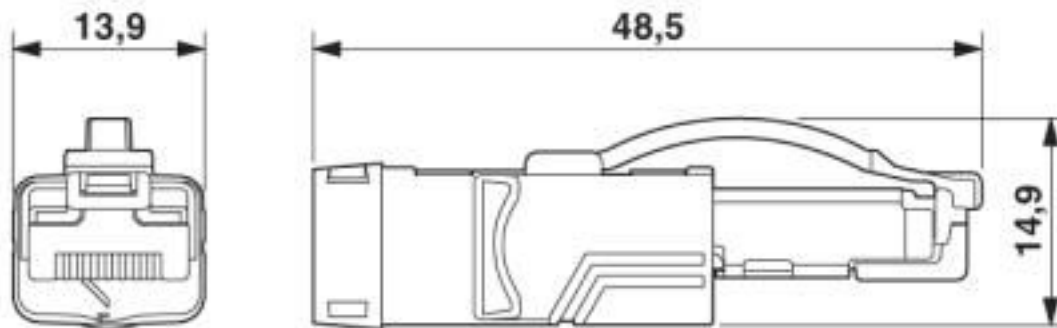
| | |
|---|---|
| Test voltage Core/Shield | 2000 V (50 Hz, 1 min.) |
| Flame resistance | according to UL 1685 (CSA FT 4) |
| Resistance to oil | Resistant to oil to a limited extent |
| Other resistance | UV resistant According to UL 1581, Section 1200 |
| Ambient temperature (operation) | -40 °C ... 70 °C (cable, fixed installation) |
| | -40 °C ... 70 °C (cable, flexible installation) |
| Ambient temperature (installation) | -20 °C ... 60 °C |
| Ambient temperature (storage/transport) | -50 °C ... 70 °C |

Environmental Product Compliance

| | |
|------------|---|
| China RoHS | Environmentally friendly use period: unlimited = EFUP-e |
| | No hazardous substances above threshold values |

Drawings

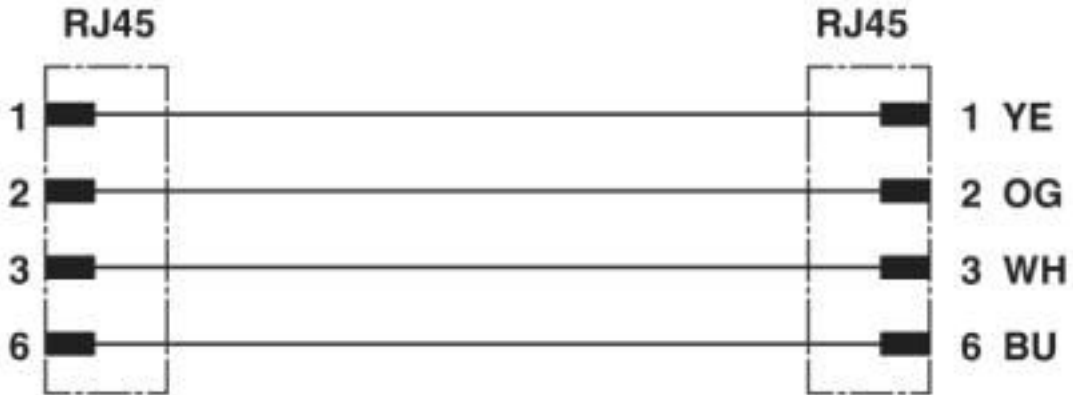
Dimensional drawing



RJ45 connector, IP20

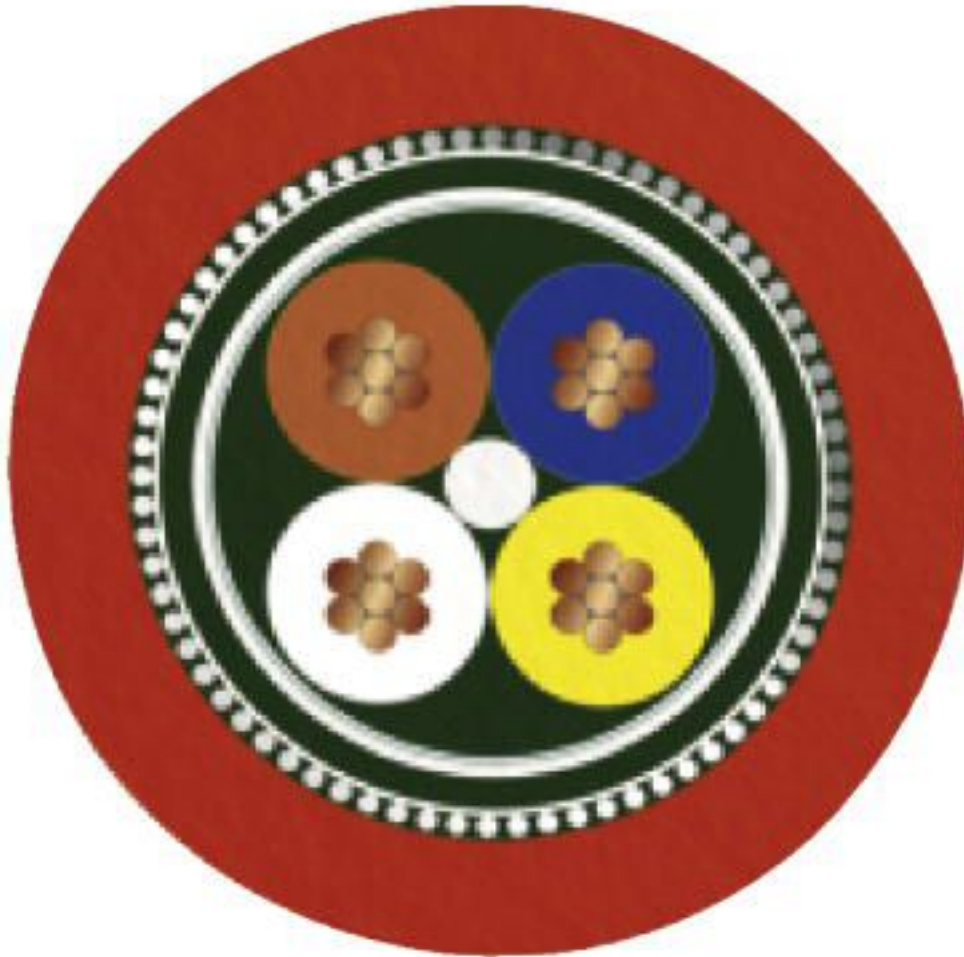
Patch cable - VS-PNRJ45-PNRJ45-93K-10 - 1403874

Circuit diagram



Patch cable - VS-PNRJ45-PNRJ45-93K-10 - 1403874

Cable cross section



Sercos III [93K]

Classifications

eCl@ss

| | |
|---------------|----------|
| eCl@ss 10.0.1 | 27060308 |
| eCl@ss 4.0 | 24010400 |
| eCl@ss 4.1 | 24010400 |
| eCl@ss 5.0 | 19030300 |
| eCl@ss 5.1 | 19030300 |
| eCl@ss 6.0 | 27061800 |
| eCl@ss 7.0 | 27060308 |

Patch cable - VS-PNRJ45-PNRJ45-93K-10 - 1403874

Classifications

eCl@ss

| | |
|------------|----------|
| eCl@ss 8.0 | 27060308 |
| eCl@ss 9.0 | 27060308 |

ETIM

| | |
|----------|----------|
| ETIM 4.0 | EC002599 |
| ETIM 5.0 | EC002599 |
| ETIM 6.0 | EC001262 |
| ETIM 7.0 | EC001262 |

UNSPSC

| | |
|---------------|----------|
| UNSPSC 6.01 | 26121616 |
| UNSPSC 7.0901 | 26121616 |
| UNSPSC 11 | 26121604 |
| UNSPSC 12.01 | 31261501 |
| UNSPSC 13.2 | 26121604 |
| UNSPSC 18.0 | 26121604 |
| UNSPSC 19.0 | 26121604 |
| UNSPSC 20.0 | 26121604 |
| UNSPSC 21.0 | 26121604 |

Approvals

Approvals

Approvals

EAC

Ex Approvals

Approval details

| | | |
|-----|---|----------|
| EAC |  | 19060508 |
|-----|---|----------|
