

Coupling - VS-MP-PPC/PPC-PO - 1403684

Please be informed that the data shown in this PDF Document is generated from our Online Catalog. Please find the complete data in the user's documentation. Our General Terms of Use for Downloads are valid (<http://phoenixcontact.com/download>)



Multi-port power coupling: for passive PROFINET cabling to robots, including mounting foot.

Product Description

Push/pull power and data coupling; version 14



Key Commercial Data

Packing unit	1 pc
GTIN	 4 046356 664332
GTIN	4046356664332
Custom tariff number	85366990
Country of origin	Germany

Technical data

Dimensions

Width	42 mm
Height	51 mm
Length	115 mm

Ambient conditions

Ambient temperature (operation)	-40 °C ... 70 °C
---------------------------------	------------------

General data

Rated current at 40°C	16 A
Rated voltage	24 V
Housing material	Aluminum alloy

Coupling - VS-MP-PPC/PPC-PO - 1403684

Technical data

General data

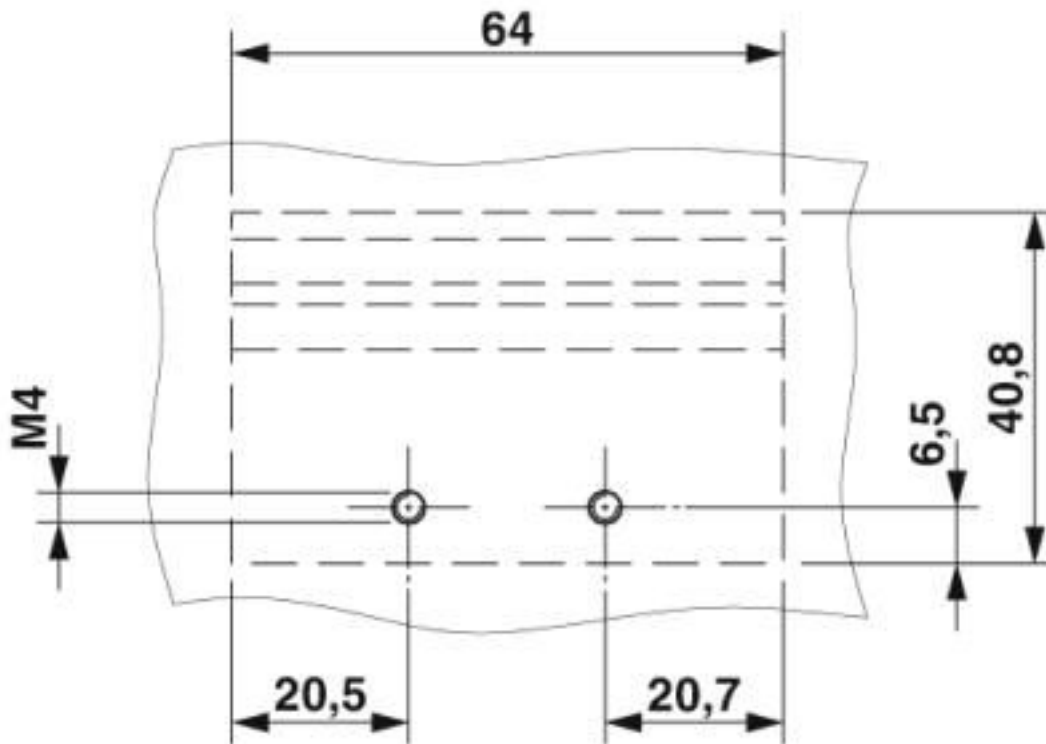
Degree of protection	IP65
----------------------	------

Environmental Product Compliance

REACH SVHC	Lead 7439-92-1
China RoHS	Environmentally Friendly Use Period = 50 years
	For details about hazardous substances go to tab "Downloads", Category "Manufacturer's declaration"

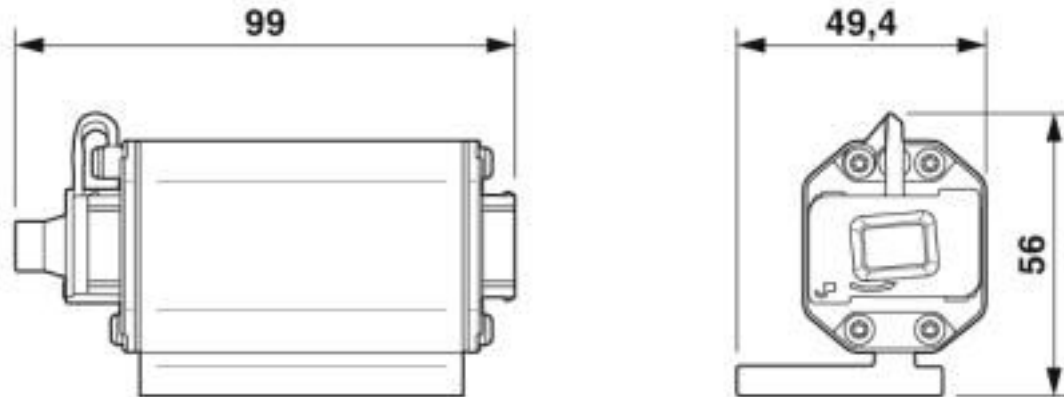
Drawings

Drilling diagram



Coupling - VS-MP-PPC/PPC-PO - 1403684

Dimensional drawing



Classifications

eCl@ss

eCl@ss 10.0.1	27440101
eCl@ss 4.0	27260700
eCl@ss 4.1	27260700
eCl@ss 5.0	27260700
eCl@ss 5.1	27260700
eCl@ss 6.0	27260700
eCl@ss 7.0	27440101
eCl@ss 8.0	27440101
eCl@ss 9.0	27440101

ETIM

ETIM 3.0	EC000830
ETIM 4.0	EC001134
ETIM 5.0	EC002636
ETIM 6.0	EC002636
ETIM 7.0	EC002636

UNSPSC

UNSPSC 6.01	26121616
UNSPSC 7.0901	26121616
UNSPSC 11	26121604
UNSPSC 12.01	31261501
UNSPSC 13.2	43222604
UNSPSC 18.0	39121409
UNSPSC 19.0	39121409

Coupling - VS-MP-PPC/PPC-PO - 1403684

Classifications

UNSPSC

UNSPSC 20.0	39121409
UNSPSC 21.0	39121409

Approvals

Approvals

Approvals

EAC

Ex Approvals

Approval details

EAC		B.01687
-----	---	---------
