

## Coupling - VS-MP-PPC/CG-PO/10G - 1403682

Please be informed that the data shown in this PDF Document is generated from our Online Catalog. Please find the complete data in the user's documentation. Our General Terms of Use for Downloads are valid (<http://phoenixcontact.com/download>)



Multi-port power and data connection: push/pull power and RJ45, 10 Gbps, for passive PROFINET cabling to robots, including mounting foot.

### Product Description

Push/pull power and data coupling; version 14



### Key Commercial Data

Packing unit	1 pc
GTIN	 4 046356 664318
GTIN	4046356664318
Custom tariff number	85366990
Country of origin	Germany

### Technical data

#### Dimensions

Width	66 mm
Height	51 mm
Length	115 mm

#### Ambient conditions

Ambient temperature (operation)	-40 °C ... 70 °C
---------------------------------	------------------

#### General data

Rated voltage (III/3)	72 V (DC)
Connection method	Spring connection / IDC
Housing material	Aluminum press-drawn section / die-cast zinc

# Coupling - VS-MP-PPC/CG-PO/10G - 1403682

## Technical data

### General data

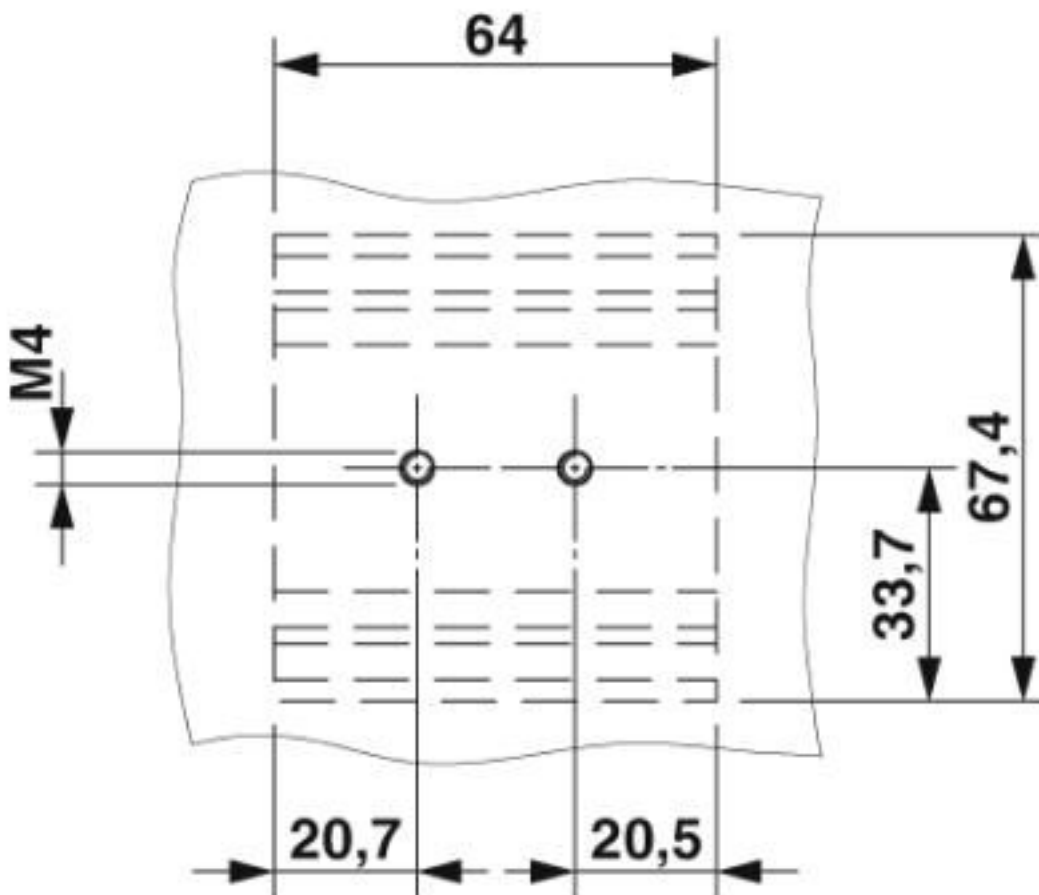
Degree of protection	IP65
Transmission characteristics (category)	CAT6 <sub>A</sub>

### Environmental Product Compliance

REACH SVHC	Lead 7439-92-1
China RoHS	Environmentally Friendly Use Period = 50 years
	For details about hazardous substances go to tab "Downloads", Category "Manufacturer's declaration"

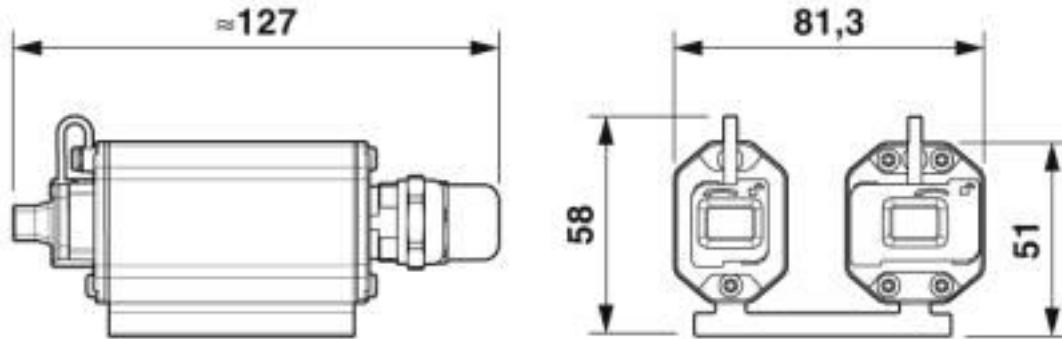
## Drawings

Drilling diagram



## Coupling - VS-MP-PPC/CG-PO/10G - 1403682

Dimensional drawing



### Classifications

#### eCl@ss

eCl@ss 10.0.1	19179290
eCl@ss 4.0	27060300
eCl@ss 4.1	27060300
eCl@ss 5.0	27061800
eCl@ss 5.1	27061800
eCl@ss 6.0	19179200
eCl@ss 7.0	19179290
eCl@ss 8.0	19179290
eCl@ss 9.0	19179290

#### ETIM

ETIM 3.0	EC000830
ETIM 4.0	EC001134
ETIM 5.0	EC001134
ETIM 6.0	EC000310
ETIM 7.0	EC000310

#### UNSPSC

UNSPSC 6.01	26121616
UNSPSC 7.0901	26121616
UNSPSC 11	26121604
UNSPSC 12.01	31261501
UNSPSC 13.2	43222604
UNSPSC 18.0	43222604
UNSPSC 19.0	43222604
UNSPSC 20.0	43222604

# Coupling - VS-MP-PPC/CG-PO/10G - 1403682

## Classifications

### UNSPSC

UNSPSC 21.0	43222604
-------------	----------

## Approvals

### Approvals

---

### Approvals

EAC

---

### Ex Approvals

---

## Approval details

EAC		B.01687
-----	--	---------

---