

Coupling - VS-MP-PPC/CG-PO - 1403681

Please be informed that the data shown in this PDF Document is generated from our Online Catalog. Please find the complete data in the user's documentation. Our General Terms of Use for Downloads are valid (<http://phoenixcontact.com/download>)



Multi-port power connection: push/pull power, for passive PROFINET cabling to robots, including mounting foot.

Product Description

Push/pull data coupling; version 14



Key Commercial Data

Packing unit	1 pc
GTIN	 4 046356 664301
GTIN	4046356664301
Custom tariff number	85366990
Country of origin	Germany

Technical data

Dimensions

Width	42 mm
Height	51 mm
Length	115 mm

Ambient conditions

Ambient temperature (operation)	-40 °C ... 70 °C
---------------------------------	------------------

General data

Rated current at 40°C	16 A
Rated voltage	24 V
Connection method	Spring-cage connection

Coupling - VS-MP-PPC/CG-PO - 1403681

Technical data

General data

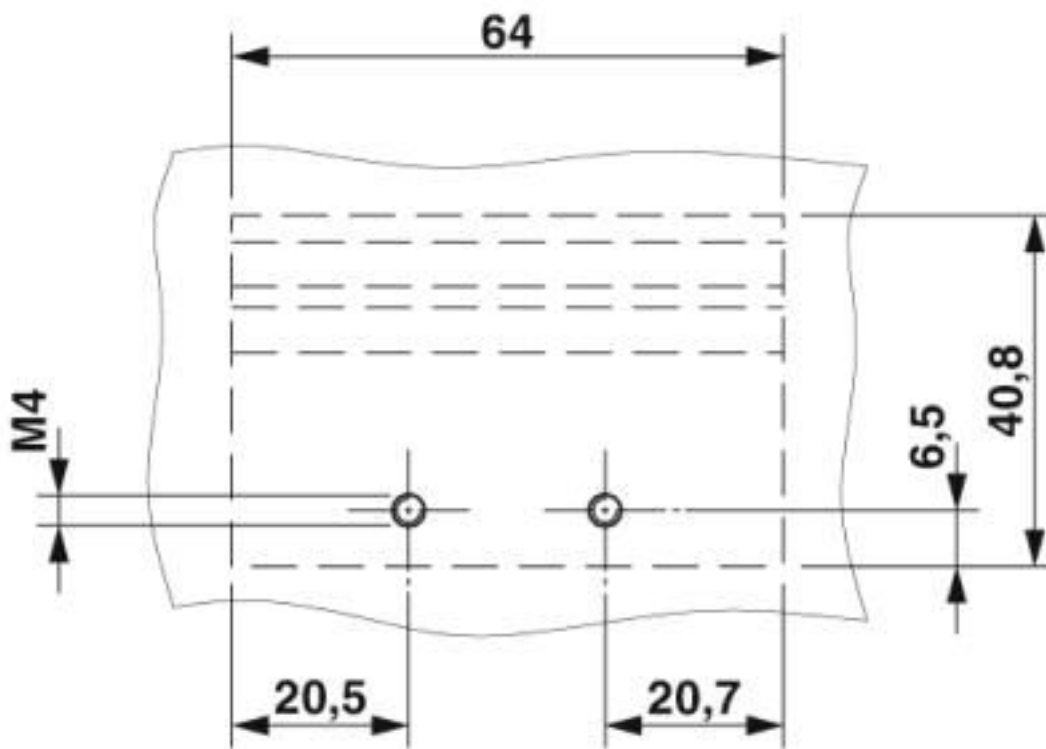
Housing material	Aluminum press-drawn section / die-cast zinc
Degree of protection	IP65

Environmental Product Compliance

REACH SVHC	Lead 7439-92-1
China RoHS	Environmentally Friendly Use Period = 50 years
	For details about hazardous substances go to tab "Downloads", Category "Manufacturer's declaration"

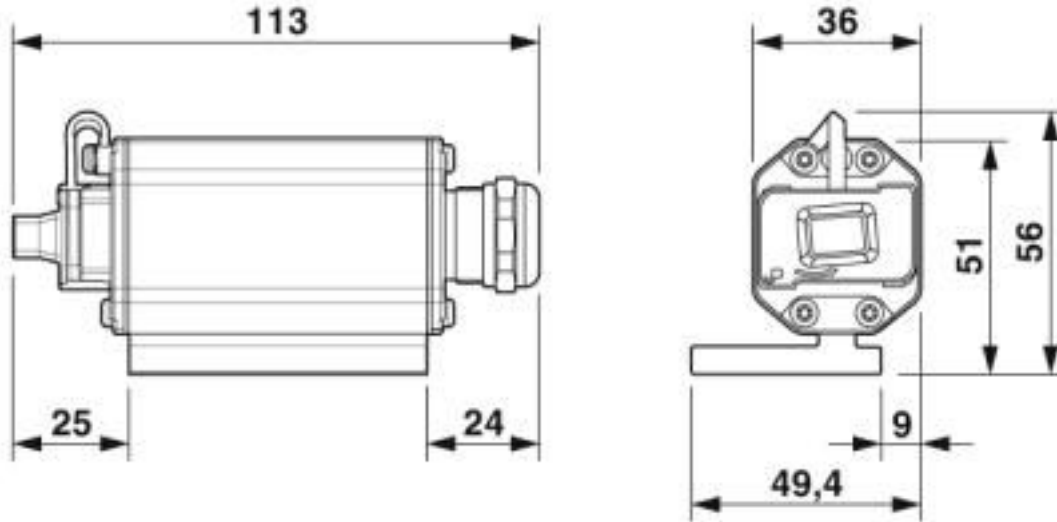
Drawings

Drilling diagram



Coupling - VS-MP-PPC/CG-PO - 1403681

Dimensional drawing



Classifications

eCl@ss

eCl@ss 10.0.1	19179290
eCl@ss 4.0	27060300
eCl@ss 4.1	27060300
eCl@ss 5.0	27061800
eCl@ss 5.1	27061800
eCl@ss 6.0	19179200
eCl@ss 7.0	19179290
eCl@ss 8.0	19179290
eCl@ss 9.0	19179290

ETIM

ETIM 3.0	EC000830
ETIM 4.0	EC001134
ETIM 5.0	EC001134
ETIM 6.0	EC000310
ETIM 7.0	EC000310

UNSPSC

UNSPSC 6.01	26121616
UNSPSC 7.0901	26121616
UNSPSC 11	26121604

Coupling - VS-MP-PPC/CG-PO - 1403681

Classifications

UNSPSC

UNSPSC 12.01	31261501
UNSPSC 13.2	43222604
UNSPSC 18.0	43222604
UNSPSC 19.0	43222604
UNSPSC 20.0	43222604
UNSPSC 21.0	43222604

Approvals


Approvals

Approvals

EAC

Ex Approvals

Approval details

EAC		B.01687
-----	---	---------
