

Coupling - VS-MP-PPC/CG-10G - 1403678

Please be informed that the data shown in this PDF Document is generated from our Online Catalog. Please find the complete data in the user's documentation. Our General Terms of Use for Downloads are valid (<http://phoenixcontact.com/download>)




Multi-port data connection: push/pull RJ45, 10 Gbps, for passive PROFINET cabling to robots, including mounting foot.

Product Description

Push/pull data coupling; version 14



Key Commercial Data

Packing unit	1 pc
GTIN	 4 046356 664288
GTIN	4046356664288
Weight per Piece (excluding packing)	280.000 g
Custom tariff number	85366990
Country of origin	Germany

Technical data

Dimensions

Width	38 mm
Height	51 mm
Length	115 mm

Ambient conditions

Ambient temperature (operation)	-40 °C ... 70 °C
---------------------------------	------------------

General data

Rated voltage (III/3)	72 V (DC)
Connection method	IDC

Coupling - VS-MP-PPC/CG-10G - 1403678

Technical data

General data

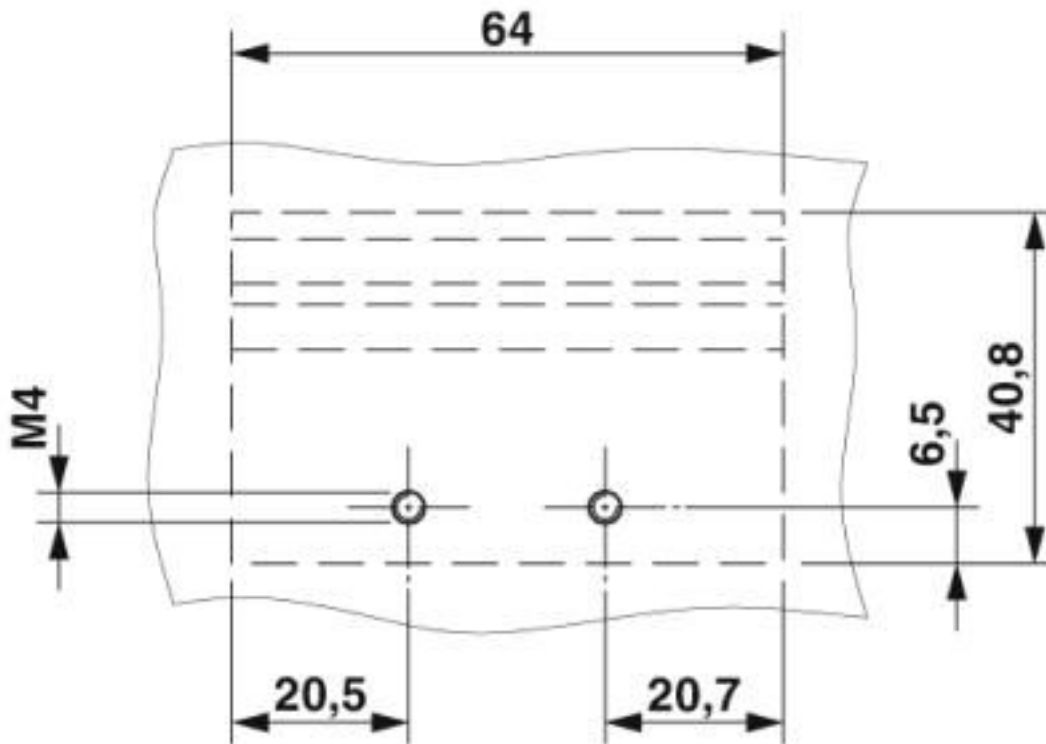
Housing material	Aluminum press-drawn section / die-cast zinc
Degree of protection	IP65
Transmission characteristics (category)	CAT6 _A

Environmental Product Compliance

REACH SVHC	Lead 7439-92-1
China RoHS	Environmentally Friendly Use Period = 50 years
	For details about hazardous substances go to tab "Downloads", Category "Manufacturer's declaration"

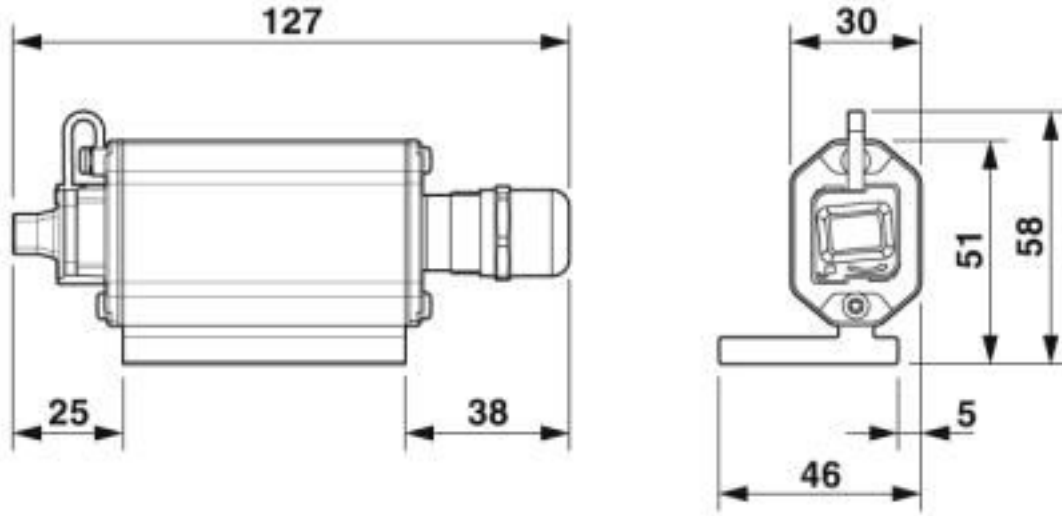
Drawings

Drilling diagram



Coupling - VS-MP-PPC/CG-10G - 1403678

Dimensional drawing



Classifications

eCl@ss

eCl@ss 10.0.1	19179290
eCl@ss 4.0	27060300
eCl@ss 4.1	27060300
eCl@ss 5.0	27061800
eCl@ss 5.1	27061800
eCl@ss 6.0	19179200
eCl@ss 7.0	19179290
eCl@ss 8.0	19179290
eCl@ss 9.0	19179290

ETIM

ETIM 3.0	EC000830
ETIM 4.0	EC001134
ETIM 5.0	EC001134
ETIM 6.0	EC000310
ETIM 7.0	EC000310

UNSPSC

UNSPSC 6.01	26121616
UNSPSC 7.0901	26121616
UNSPSC 11	26121604
UNSPSC 12.01	31261501

Coupling - VS-MP-PPC/CG-10G - 1403678

Classifications

UNSPSC

UNSPSC 13.2	43222604
UNSPSC 18.0	43222604
UNSPSC 19.0	43222604
UNSPSC 20.0	43222604
UNSPSC 21.0	43222604

Approvals


Approvals

Approvals

EAC

Ex Approvals

Approval details

EAC		B.01687
-----	---	---------
