

Bus system cable - SAC-2P-M12MSB/5-915/M12FSB VA - 1402381

Please be informed that the data shown in this PDF Document is generated from our Online Catalog. Please find the complete data in the user's documentation. Our General Terms of Use for Downloads are valid (<http://phoenixcontact.com/download>)




Bus system cable, PROFIBUS, 2-position, PUR/PVC, blue, shielded, Plug straight M12, coding: B, on Socket straight M12, coding: B, cable length: 5 m

As illustrated but with VA knurl



Key Commercial Data

| | |
|----------------------|---|
| Packing unit | 1 |
| GTIN |  4 046356 610834 |
| GTIN | 4046356610834 |
| Custom tariff number | 85444290 |

Technical data

Dimensions

| | |
|-----------------|-----|
| Length of cable | 5 m |
|-----------------|-----|

Ambient conditions

| | |
|---------------------------------|----------------------------------|
| Ambient temperature (operation) | -25 °C ... 90 °C (Plug / socket) |
| Degree of protection | IP65 |
| | IP67 |
| | IP68 |
| | IP69K |

General

| | |
|------------------------|---------|
| Rated current at 40 °C | 4 A |
| Rated voltage | 48 V AC |
| | 60 V DC |
| Number of positions | 2 |

Bus system cable - SAC-2P-M12MSB/5-915/M12FSB VA - 1402381

Technical data

General

| | |
|-----------------------------|------------------------|
| Color handle area | black |
| Insulation resistance | ≥ 100 MΩ |
| Coding | B - inverse |
| Signal type/category | PROFIBUS |
| Status display | No |
| Overvoltage category | II |
| Degree of pollution | 3 |
| Insertion/withdrawal cycles | ≥ 100 |
| Torque | 0.4 Nm (M12 connector) |

Material

| | |
|--|---|
| Flammability rating according to UL 94 | V0 |
| Contact material | CuSn |
| Contact surface material | Ni/Au |
| Contact carrier material | PA 6.6 |
| Material of grip body | TPU, hardly inflammable, self-extinguishing |
| Material, knurls | Stainless steel |
| Sealing material | NBR |

Pin assignment

| | |
|---|--------------------------------------|
| Contact Color (signal designation) Contact (optional) | 2 (Plug) GN (A cable) 2 (Socket) |
| | 4 (Plug) RD (B cable) 4 (Socket) |

Standards and Regulations

| | |
|--|----|
| Flammability rating according to UL 94 | V0 |
|--|----|

Cable

| | |
|------------------------------------|--|
| Cable type | PROFIBUS |
| Cable type (abbreviation) | 915 |
| Cable structure | 1x2xAWG24/19 |
| Conductor cross section | 2x 0.25 mm ² |
| AWG signal line | 24 |
| Conductor structure signal line | 19x 0.14 mm |
| Core diameter including insulation | 2.56 mm |
| Wire colors | Red, green |
| Overall twist | 2 wires, twisted |
| Shielding | Aluminum-coated foil, tinned copper braided shield |
| Optical shield covering | 70 % |
| External sheath, color | blue |

Bus system cable - SAC-2P-M12MSB/5-915/M12FSB VA - 1402381

Technical data

Cable

| | |
|---|---|
| Outer sheath thickness | approx. 0.8 mm |
| External cable diameter D | 8 mm ±0.4 mm |
| Minimum bending radius, flexible installation | 5 x D |
| Number of bending cycles | 3000000 |
| Bending radius | 60 mm |
| Acceleration | 4 m/s ² |
| Cable weight | 74 kg/km |
| Tensile strength GRP | ≤ 100 N |
| Outer sheath, material | PUR |
| Material, inner sheath | PVC |
| Material conductor insulation | Foamed PE |
| Conductor material | Bare Cu litz wires |
| Insulation resistance | ≥ 16 GΩ*km |
| Working capacitance | 28 nF (at 1 kHz) |
| Nominal voltage, cable | ≤ 100 V |
| Test voltage Core/Core | 3600 V DC |
| Flame resistance | according to IEC 60332-1 |
| Resistance to oil | Resistant to mineral oils and grease |
| Ambient temperature (operation) | -40 °C ... 80 °C (cable, flexible installation) |

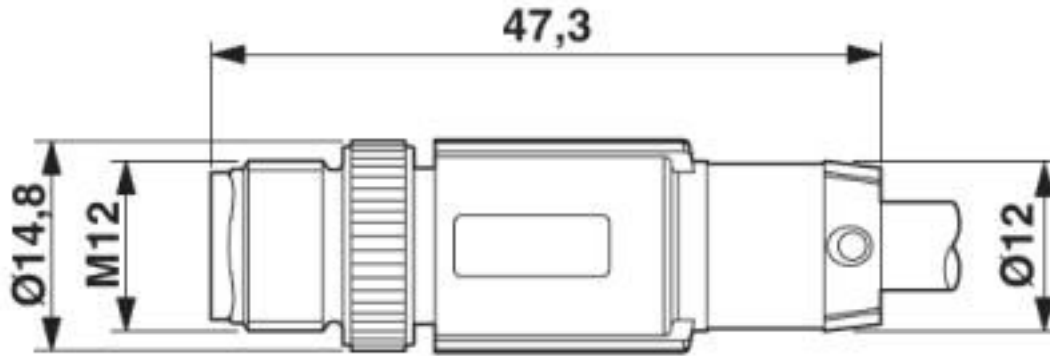
Environmental Product Compliance

| | |
|------------|---|
| China RoHS | Environmentally friendly use period: unlimited = EFUP-e |
| | No hazardous substances above threshold values |

Drawings

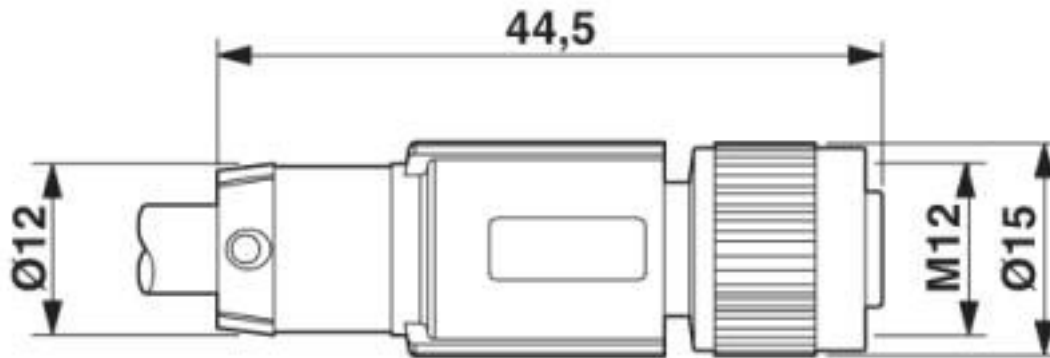
Bus system cable - SAC-2P-M12MSB/5-915/M12FSB VA - 1402381

Dimensional drawing



Plug, M12 x 1, straight, shielded

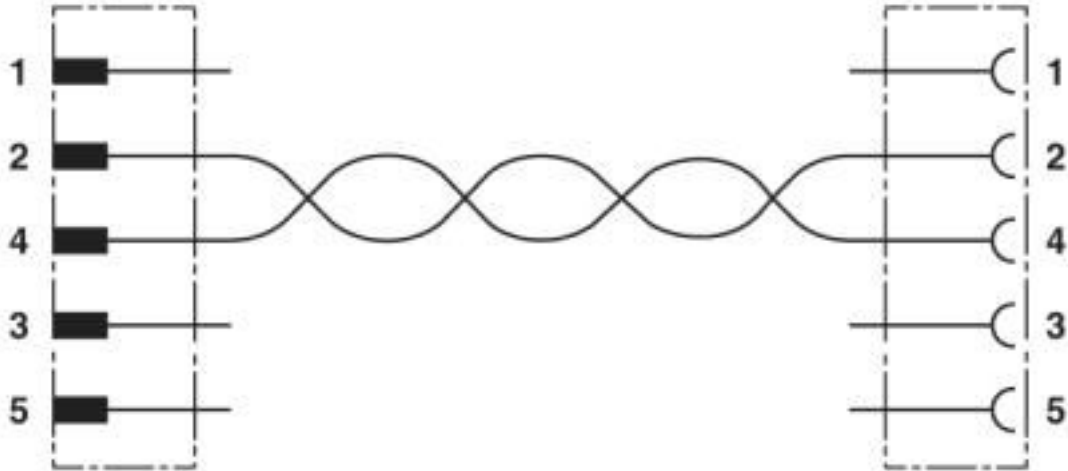
Dimensional drawing



M12 x 1 socket, straight, shielded

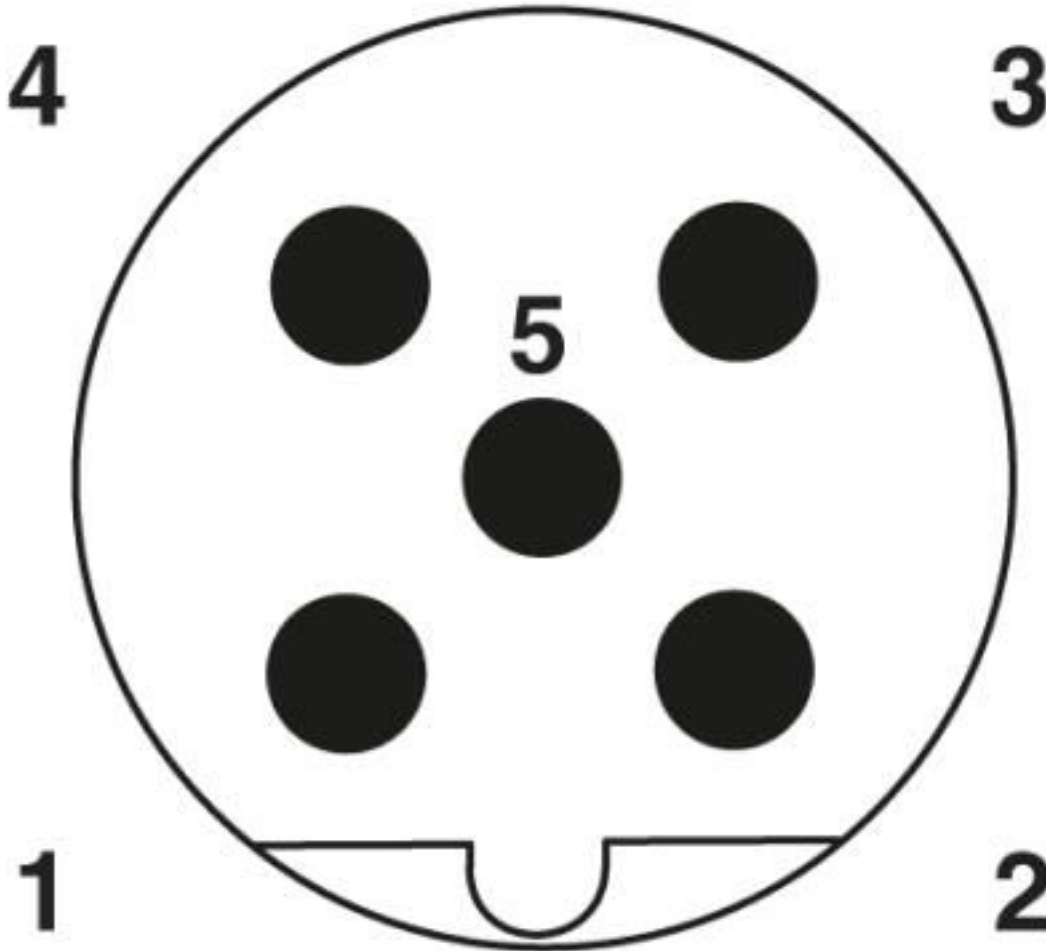
Bus system cable - SAC-2P-M12MSB/5-915/M12FSB VA - 1402381

Circuit diagram



Bus system cable - SAC-2P-M12MSB/5-915/M12FSB VA - 1402381

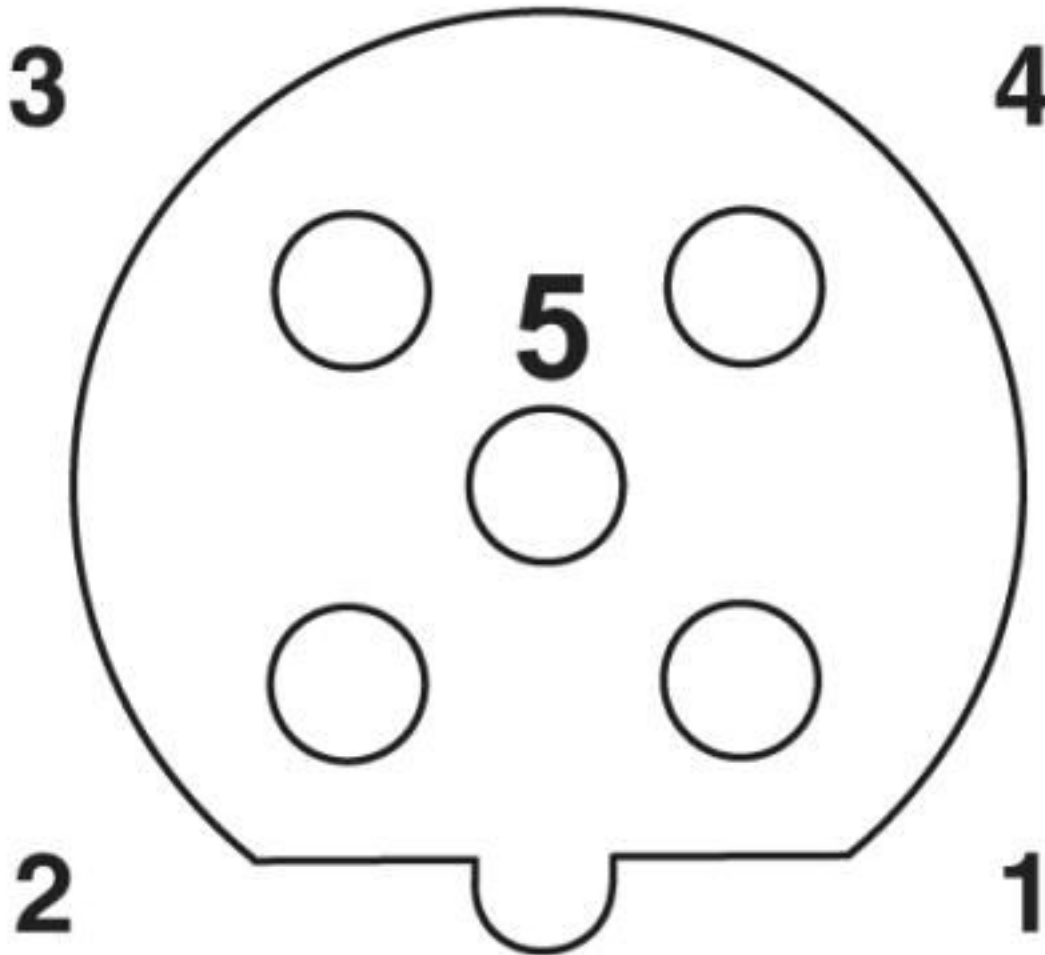
Schematic diagram



Pin assignment M12 male connector, 5-pos., B-coded, male side

Bus system cable - SAC-2P-M12MSB/5-915/M12FSB VA - 1402381

Schematic diagram



Pin assignment M12 socket, 5-pos., B-coded, female side

Classifications

eCl@ss

| | |
|---------------|----------|
| eCl@ss 10.0.1 | 27060311 |
| eCl@ss 4.0 | 27060300 |
| eCl@ss 4.1 | 27060300 |
| eCl@ss 5.0 | 27061800 |
| eCl@ss 5.1 | 27061800 |
| eCl@ss 6.0 | 27279200 |
| eCl@ss 7.0 | 27279218 |

Bus system cable - SAC-2P-M12MSB/5-915/M12FSB VA - 1402381

Classifications

eCl@ss

| | |
|------------|----------|
| eCl@ss 8.0 | 27279218 |
| eCl@ss 9.0 | 27060311 |

ETIM

| | |
|----------|----------|
| ETIM 3.0 | EC001855 |
| ETIM 4.0 | EC001855 |
| ETIM 5.0 | EC001855 |
| ETIM 6.0 | EC001855 |
| ETIM 7.0 | EC001855 |

UNSPSC

| | |
|---------------|----------|
| UNSPSC 6.01 | 31251501 |
| UNSPSC 7.0901 | 31251501 |
| UNSPSC 11 | 31251501 |
| UNSPSC 12.01 | 31251501 |
| UNSPSC 13.2 | 31251501 |
| UNSPSC 19.0 | 31251501 |
| UNSPSC 20.0 | 31251501 |
| UNSPSC 21.0 | 31251501 |