

Closing cap - SEALING PLUG 10X16 RD - 1400284


Please be informed that the data shown in this PDF Document is generated from our Online Catalog. Please find the complete data in the user's documentation. Our General Terms of Use for Downloads are valid (<http://phoenixcontact.com/download>)



Closing cap, material: PA, for threads pluggable, color: red



Key Commercial Data

Packing unit	1 pc
Minimum order quantity	10 pc
GTIN	 4 046356 482004
GTIN	4046356482004
Weight per Piece (excluding packing)	2.000 g
Custom tariff number	39235090
Country of origin	Germany

Technical data

Dimensions

Length	16 mm
--------	-------

Ambient conditions

Ambient temperature (operation)	-60 °C ... 100 °C
---------------------------------	-------------------

General

Material	PA
Thread type on connection side	pluggable
Color	red
Connection	The head of the sealing plug must still be visible after mounting in the screw connection (see "after mounting" photo).

Closing cap - SEALING PLUG 10X16 RD - 1400284

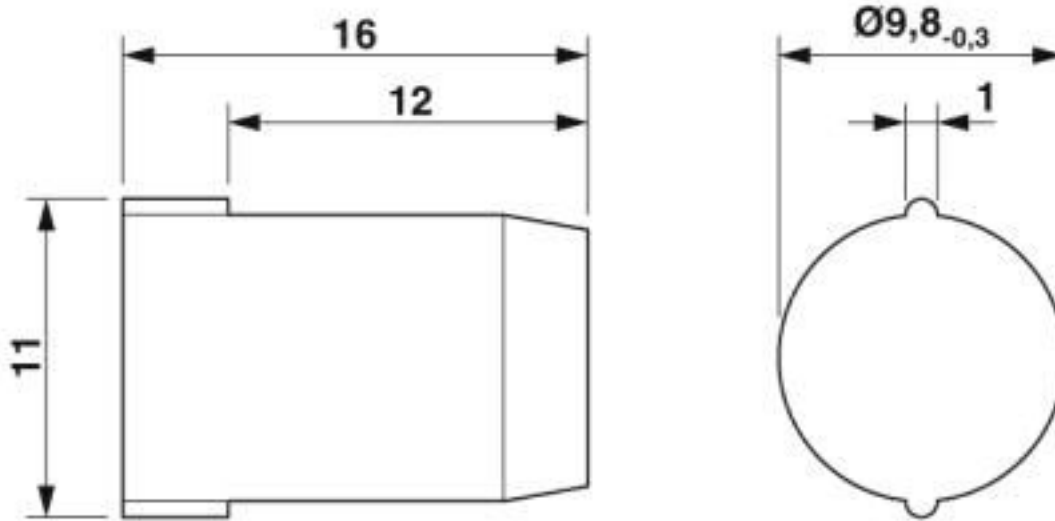
Technical data

Environmental Product Compliance

China RoHS	Environmentally friendly use period: unlimited = EFUP-e
	No hazardous substances above threshold values

Drawings

Dimensional drawing



Dimensional drawing

Classifications

eCl@ss

eCl@ss 10.0.1	27144433
eCl@ss 4.0	27141200
eCl@ss 4.1	27141200
eCl@ss 5.0	27149100
eCl@ss 5.1	27149100
eCl@ss 6.0	27149100
eCl@ss 7.0	27149110
eCl@ss 8.0	27149110
eCl@ss 9.0	27144433

ETIM

ETIM 3.0	EC000451
----------	----------

Closing cap - SEALING PLUG 10X16 RD - 1400284

Classifications

ETIM

ETIM 4.0	EC000451
ETIM 5.0	EC000451
ETIM 6.0	EC000451
ETIM 7.0	EC000451

UNSPSC

UNSPSC 6.01	31261502
UNSPSC 7.0901	31261502
UNSPSC 11	31261502
UNSPSC 12.01	31261502
UNSPSC 13.2	31261502
UNSPSC 18.0	39121311
UNSPSC 19.0	39121311
UNSPSC 20.0	39121311
UNSPSC 21.0	39121311