

Reducing adapter - REDUC-K-KV-M20/M16 BK - 1082732

Please be informed that the data shown in this PDF Document is generated from our Online Catalog. Please find the complete data in the user's documentation. Our General Terms of Use for Downloads are valid (<http://phoenixcontact.com/download>)



Reducing adapter, material: Polyamide fiberglass reinforced, connecting thread: M20 x 1.5, color: black, with flat gasket

Product Description

Reduced M20 to M16

Key Commercial Data

Packing unit	1 pc
GTIN	 4 055626 815763
GTIN	4055626815763
Custom tariff number	39269097
Country of origin	Germany

Technical data

Dimensions

Length	12 mm
Hexagon angular dimension	26.5 mm
Length of the connecting thread	6.5 mm

Ambient conditions

Degree of protection (IP)	IP65 (Depends on the screw connection used)
Ambient temperature (operation)	-30 °C ... 100 °C

General

Material	Polyamide fiberglass reinforced
Sealing material	NBR (Flat gasket)
Flammability rating according to UL 94	HB
Thread type on connection side	M20 x 1.5
Torque	2.5 Nm ... 3 Nm
Color	black

Reducing adapter - REDUC-K-KV-M20/M16 BK - 1082732

Technical data

General

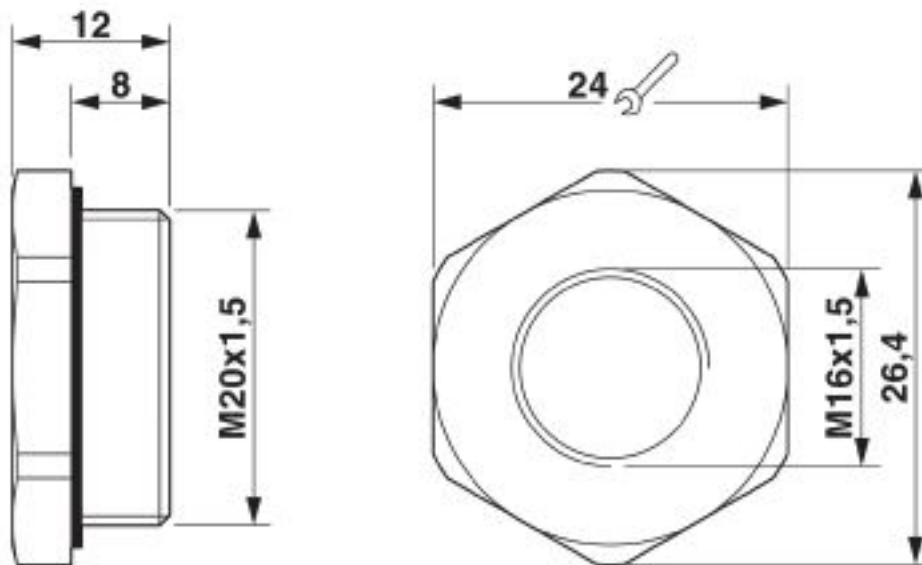
Assembly instructions	With corresponding screw connection: IP65
-----------------------	---

Standards and Regulations

Halogen-free	no
Flammability rating according to UL 94	HB

Drawings

Dimensional drawing



Dimensional drawing

Classifications

eCl@ss

eCl@ss 10.0.1	27440201
eCl@ss 6.0	27261200
eCl@ss 7.0	27440201
eCl@ss 9.0	27440201

ETIM

ETIM 6.0	EC002309
ETIM 7.0	EC002309

