

Type 2 surge arrester - BLT-T2-1S-305-UT - 1078433

Please be informed that the data shown in this PDF Document is generated from our Online Catalog. Please find the complete data in the user's documentation. Our General Terms of Use for Downloads are valid (<http://phoenixcontact.com/download>)



Type 2 surge arrester for universal mounting in lights, cable connection boxes, installation boxes, sill-type trunking, underfloor installations or direct installation in the end device. Specifically for insulation class I with optical fault indication. Installation in branch or through wiring. Version: 230 V AC

Your advantages

- ✓ L' signalizes the failure of the surge protective device due to disconnection of the power supply to the lights.
- ✓ Universal use for street, tunnel or object lighting
- ✓ Flexible installation
- ✓ Fixed via integrated elongated holes
- ✓ compact design
- ✓ Optical, mechanical status indicator
- ✓ Stub or through-wiring connection

Key Commercial Data

Packing unit	1
GTIN	
GTIN	4055626793344
Custom tariff number	85354000

Technical data

Dimensions

Height	56 mm
Width	36.5 mm
Depth	34 mm

Ambient conditions

Degree of protection	IP20
----------------------	------

Type 2 surge arrester - BLT-T2-1S-305-UT - 1078433

Technical data

Ambient conditions

Ambient temperature (operation)	-40 °C ... 80 °C
Ambient temperature (storage/transport)	-40 °C ... 80 °C
Altitude	≤ 2000 m (amsl (above mean sea level))
Permissible humidity (operation)	5 % ... 95 %
Shock (operation)	25g (Half-sine / 11 ms / 3x ±X, ±Y, ±Z)
Vibration (operation)	5g (5 ... 500 Hz / 2.5 h / X, Y, Z)

General

IEC test classification	II / III
EN type	T2 / T3
IEC power supply system	TN-S
	TT
SPD failure behavior	OCM
Accessibility	Accessible
Installation location of the disconnect device	Internal
Mode of protection	L-N
	L-PE
	N-PE
Mounting type	4 mm screw
Color	light grey RAL 7035
Housing material	PA 6.6
Degree of pollution	2
Distance between live and grounded parts	3 mm
Flammability rating according to UL 94	V-0
Protection class	I

Protective circuit

Nominal voltage U_N	100 V AC ... 230 V AC (TN-S)
	100 V AC ... 230 V AC (TT)
Nominal frequency f_N	50 Hz (60 Hz)
Maximum continuous operating voltage U_C (L-N)	305 V AC
Maximum continuous operating voltage U_C (L-PE)	265 V AC
Maximum continuous voltage U_C (N-PE)	265 V AC
Rated load current I_L	16 A
Residual current I_{PE}	≤ 5 μA
Nominal discharge current I_n (8/20) μs (L-N)	5 kA
Nominal discharge current I_n (8/20) μs (L-PE)	5 kA
Nominal discharge current I_n (8/20) μs (N-PE)	10 kA

Type 2 surge arrester - BLT-T2-1S-305-UT - 1078433

Technical data

Protective circuit

Maximum discharge current I_{max} (8/20) μ s (L-N)	10 kA
Maximum discharge current I_{max} (8/20) μ s (L-PE)	10 kA
Maximum discharge current I_{max} (8/20) μ s (N-PE)	20 kA
Combination wave U_{OC} (L-N)	10 kV
Combination wave U_{OC} (L-PE)	10 kV
Combination wave U_{OC} (N-PE)	20 kV
Total discharge current I_{total} (8/20) μ s	20 kA
Follow current interrupt rating I_{fi} (N-PE)	100 A ()
Short-circuit current rating I_{SCCR}	10 kA (6 A gG backup fuse)
	3 kA (16 A MCB B/C backup fuse)
Voltage protection level U_p (L-N)	≤ 1.3 kV
Voltage protection level U_p (L-PE)	≤ 1.5 kV
Voltage protection level U_p (N-PE)	≤ 1.5 kV
TOV behavior at U_T (L-N)	336 V AC (5 s / withstand mode)
	440 V AC (120 min / safe failure mode)
TOV behavior at U_T (L-PE)	440 V AC (5 s / withstand mode)
	440 V AC (120 min / safe failure mode)
TOV behavior at U_T (N-PE)	1200 V AC (200 ms / safe failure mode)
Response time t_A (L-N)	≤ 25 ns
Response time t_A (L-PE)	≤ 100 ns
Response time t_A (N-PE)	≤ 100 ns
Max. backup fuse with V-type through wiring	16 A (MCB B/C)
Max. backup fuse with branch wiring	16 A (MCB B/C)

Connection data

Connection method	Screw terminal blocks
Screw thread	M3
Tightening torque	0.6 Nm
Stripping length	8 mm
2 conductors with same cross section, stranded min.	0.2 mm ²
2 conductors with same cross section, stranded max.	1.5 mm ²
Conductor cross section flexible	0.2 mm ² ... 2.5 mm ²
2 conductors with same cross section, solid min.	0.2 mm ²
2 conductors with same cross section, solid max.	1.5 mm ²
Conductor cross section solid	0.2 mm ² ... 4 mm ²

Standards and Regulations

Type 2 surge arrester - BLT-T2-1S-305-UT - 1078433

Technical data

Standards and Regulations

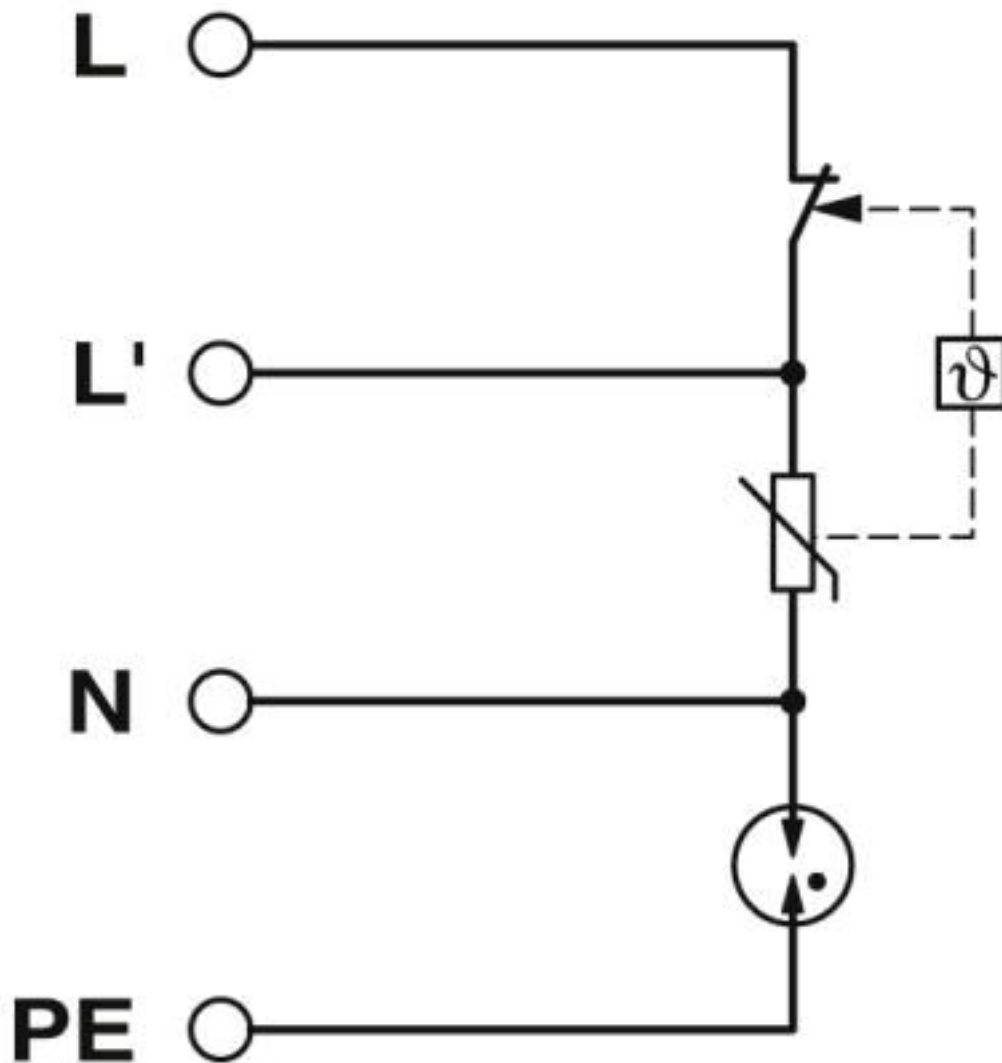
Standards/regulations	IEC 61643-11 2011
	EN 61643-11 2012

Environmental Product Compliance

REACH SVHC	Lead 7439-92-1
------------	----------------

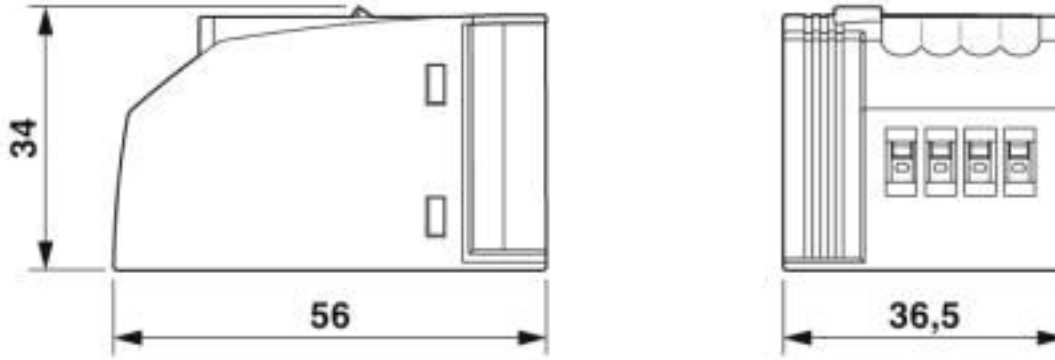
Drawings

Circuit diagram



Type 2 surge arrester - BLT-T2-1S-305-UT - 1078433

Dimensional drawing



Classifications

eCl@ss

eCl@ss 10.0.1	27130805
eCl@ss 8.0	27130805
eCl@ss 9.0	27130805

ETIM

ETIM 5.0	EC000941
ETIM 6.0	EC000941
ETIM 7.0	EC000941

Approvals

Approvals

Approvals

EAC

Ex Approvals

Approval details

EAC		RU C- DE.A*30.B01561
-----	--	-------------------------

