

Contact insert - HC-Q-I-RJ45-08-M - 1077117


Please be informed that the data shown in this PDF Document is generated from our Online Catalog. Please find the complete data in the user's documentation. Our General Terms of Use for Downloads are valid (<http://phoenixcontact.com/download>)

Contact insert, number of positions: RJ45, size: D7, type : RJ45, Pin, 50 V, 1 A, application: Data, With RJ45 contact insert



COMPLETE

Key Commercial Data

Packing unit	1 pc
GTIN	 4 055626 788814
GTIN	4055626788814
Weight per Piece (excluding packing)	10.000 g
Custom tariff number	85366990
Country of origin	China

Technical data

General

Note	Connectors may be operated only when there is no load/voltage.
Degree of pollution	3
Overvoltage category	III
Number of positions	RJ45
Size	D7
Connection cross section AWG	24 ... 27 (flexible)

Ambient conditions

Ambient temperature (operation)	-25 °C ... 60 °C
---------------------------------	------------------

Material data

Contact material	Copper alloy
------------------	--------------

Contact insert - HC-Q-I-RJ45-08-M - 1077117

Technical data

Material data

Contact surface material	Au
Contact carrier material	PC

Electrical characteristics

Rated voltage (III/3)	50 V
Nominal voltage U_N	50 V
Rated surge voltage	0.8 kV
Rated current	1 A
Transmission characteristics (category)	CAT6 _A (IEC 60512-27-100:2008, TIA-568-C.2:2009)

Standards and Regulations

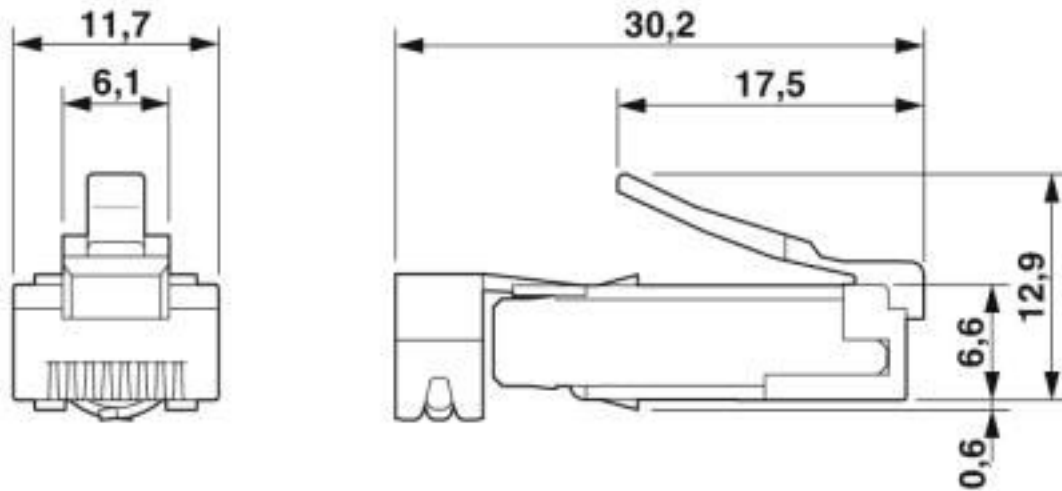
Flammability rating according to UL 94	V0
--	----

Environmental Product Compliance

REACH SVHC	Lead 7439-92-1
------------	----------------

Drawings

Dimensional drawing



RJ45 male insert

Classifications

eCl@ss

eCl@ss 10.0.1	27440205
eCl@ss 8.0	27440205

Contact insert - HC-Q-I-RJ45-08-M - 1077117

Classifications

eCl@ss

eCl@ss 9.0	27440205
------------	----------

ETIM

ETIM 6.0	EC000438
ETIM 7.0	EC000438

Approvals

Approvals

Approvals

EAC

Ex Approvals

Approval details

EAC		RU C- DE.BL08.B.00511
-----	--	--------------------------

Accessories

Accessories

Crimping tool

Crimping pliers - VS-CT-RJ45-H - 1653265



Crimp tool, pliers with die, for RJ45 pin inserts VS-08-ST-H...-RJ45 and VS-08-RJ45-10G/C

Mounting material

Contact insert - HC-Q-I-RJ45-08-M - 1077117

Accessories

Sealing screw - HC-D 7-DS-IP65 - 1686229



Sealing screw, size: Countersunk head, IP67, replacement part for D7 size HEAVYCON housing

Additional products

Contact insert - HC-Q-I-RJ45 GC-F/F - 1422590



Contact insert, number of positions: RJ45, size: D7, type : RJ45, Socket, 50 V, 1 A, application: Data, Gender changer

RJ45 male insert - VS-08-RJ45-10G/C - 1418853



Male insert RJ45, CAT6_A, 10 Gigabit