


## Screw plug - HC-M-BS-M12 - 1046636

Please be informed that the data shown in this PDF Document is generated from our Online Catalog. Please find the complete data in the user's documentation. Our General Terms of Use for Downloads are valid (<http://phoenixcontact.com/download>)



Screw plug, cable gland material: Nickel-plated brass, connecting thread: M12 x 1.5, color: silver

### Key Commercial Data

Packing unit	1 pc
Minimum order quantity	10 pc
GTIN	 4 055626 643540
GTIN	4055626643540
Custom tariff number	74199990
Country of origin	Germany

### Technical data

#### Dimensions

Length	7.5 mm
Wrench size, union nut	14 mm
Hexagon angular dimension	14 mm
Length of the connecting thread	5 mm

#### Ambient conditions

Degree of protection (IP)	IP68
Ambient temperature (operation)	-20 °C ... 80 °C

#### General

Cable gland material	Nickel-plated brass
O-ring material	NBR
Thread type on connection side	M12 x 1.5
Torque	5.3 Nm
Color	silver

# Screw plug - HC-M-BS-M12 - 1046636

## Technical data

### Standards and Regulations

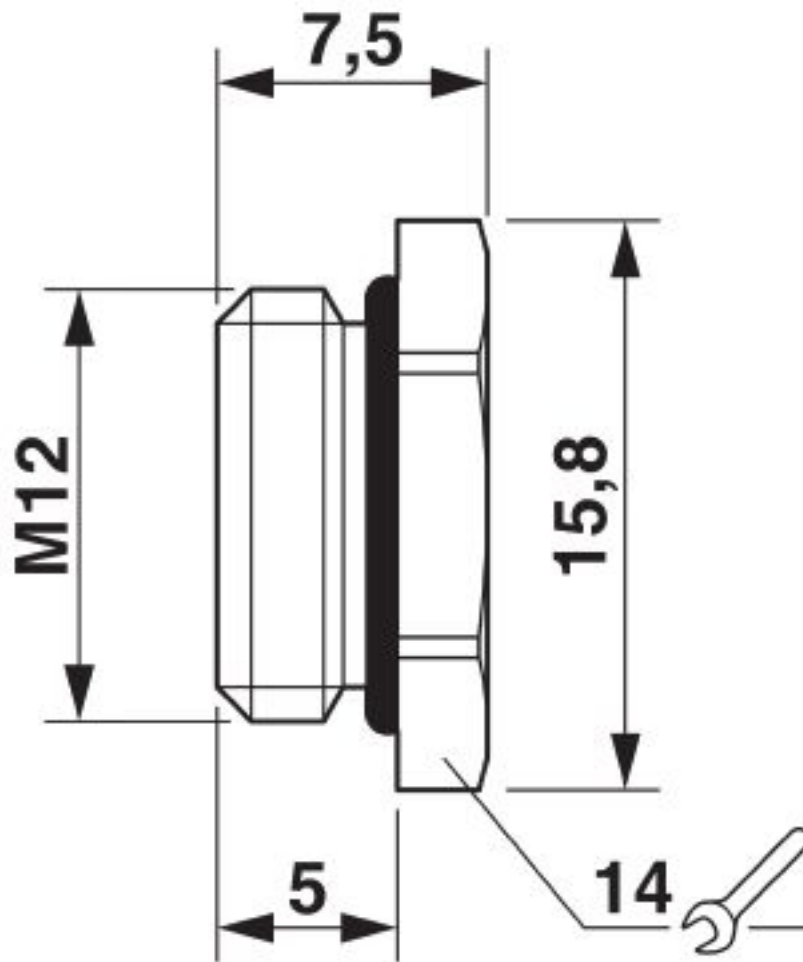
Halogen-free	no
--------------	----

### Environmental Product Compliance

REACH SVHC	Lead 7439-92-1
China RoHS	Environmentally Friendly Use Period = 50 years
	For details about hazardous substances go to tab "Downloads", Category "Manufacturer's declaration"

## Drawings

Dimensional drawing



## Screw plug - HC-M-BS-M12 - 1046636

### Classifications

#### eCl@ss

eCl@ss 10.0.1	23111190
eCl@ss 4.0	23111100
eCl@ss 4.1	23111100
eCl@ss 5.0	23111100
eCl@ss 5.1	23111100
eCl@ss 6.0	23111100
eCl@ss 7.0	23111190
eCl@ss 8.0	23111190
eCl@ss 9.0	23111190

#### ETIM

ETIM 5.0	EC000032
ETIM 6.0	EC000032
ETIM 7.0	EC000032