

Type 3 surge protection device - BLT-SKT-230-A - 1038842

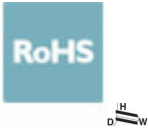
Please be informed that the data shown in this PDF Document is generated from our Online Catalog. Please find the complete data in the user's documentation. Our General Terms of Use for Downloads are valid (<http://phoenixcontact.com/download>)




Type 3 surge protection for permanent installation on ground contact sockets. Circuit with thermal monitoring, acoustic fault warning.

Your advantages

- ✓ Installs easily in deep and flat device sockets, thanks to normative device shape
- ✓ Cannot be stolen, since it is part of the fixed installation
- ✓ Concealed surge protection, thanks to flush-socket installation



Key Commercial Data

Packing unit	1
GTIN	 4 055626 592442
GTIN	4055626592442
Custom tariff number	85363010

Technical data

Dimensions

Height	53 mm
Width	53 mm
Depth	32 mm

Ambient conditions

Degree of protection	IP20 (Installed)
Ambient temperature (operation)	-20 °C ... 70 °C
Ambient temperature (storage/transport)	-20 °C ... 70 °C
Altitude	≤ 2000 m (amsl (above mean sea level))

Type 3 surge protection device - BLT-SKT-230-A - 1038842

Technical data

Ambient conditions

Permissible humidity (operation)	5 % ... 95 %
----------------------------------	--------------

General

EN type	T3
IEC power supply system	TN-S
	TT
Number of ports	One
Mode of protection	L-N
	L-PE
	N-PE
Mounting type	in device sockets of insulating material with standard ground contact sockets
Color	light grey RAL 7035
Housing material	PA 6.6-FR
Degree of pollution	2
Flammability rating according to UL 94	V-0
Type	Socket mounting module
Number of positions	2
Surge protection fault message	Acoustic

Protective circuit

Nominal voltage U_N	230 V AC (TN-S)
	230 V AC (TT - only in use with RCD)
Nominal frequency f_N	50 Hz (60 Hz)
Maximum continuous voltage U_C	255 V AC
Residual current I_{PE}	$\leq 5 \mu A$
Reference test voltage U_{REF}	255 V AC
Max. discharge current $I_{max} (8/20) \mu s$	4 kA
Combination wave U_{OC}	6 kV
Voltage protection level U_p	$\leq 1.5 kV$
TOV behavior at U_T (L-N)	440 V AC (5 s / withstand mode)
	440 V AC (120 min / withstand mode)
TOV behavior at U_T (L-PE)	440 V AC (5 s / withstand mode)
	440 V AC (120 min / withstand mode)
	1455 V AC (200 ms / safe failure mode)
TOV behavior at U_T (N-PE)	1200 V AC (200 ms / safe failure mode)
Response time t_A (L-N)	$\leq 25 ns$
Response time t_A (L-PE)	$\leq 100 ns$

Type 3 surge protection device - BLT-SKT-230-A - 1038842

Technical data

Protective circuit

Response time t_A (N-PE)	≤ 100 ns
Max. required back-up fuse	16 A (MCB B)
Short-circuit current rating I_{SCCR}	1 kA AC

Connection data

Connection method	Single wires
-------------------	--------------

Standards and Regulations

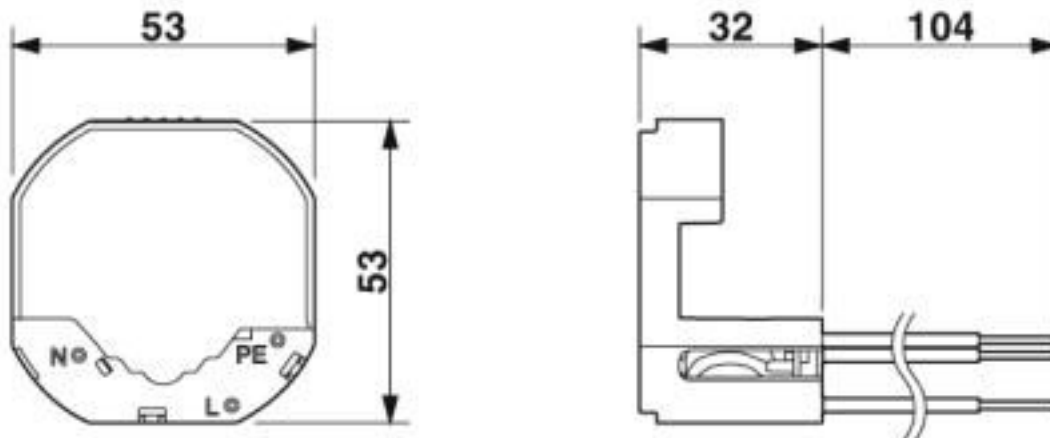
Standards/specifications	IEC 61643-11 2011
	EN 61643-11 2012

Environmental Product Compliance

REACH SVHC	Lead 7439-92-1
------------	----------------

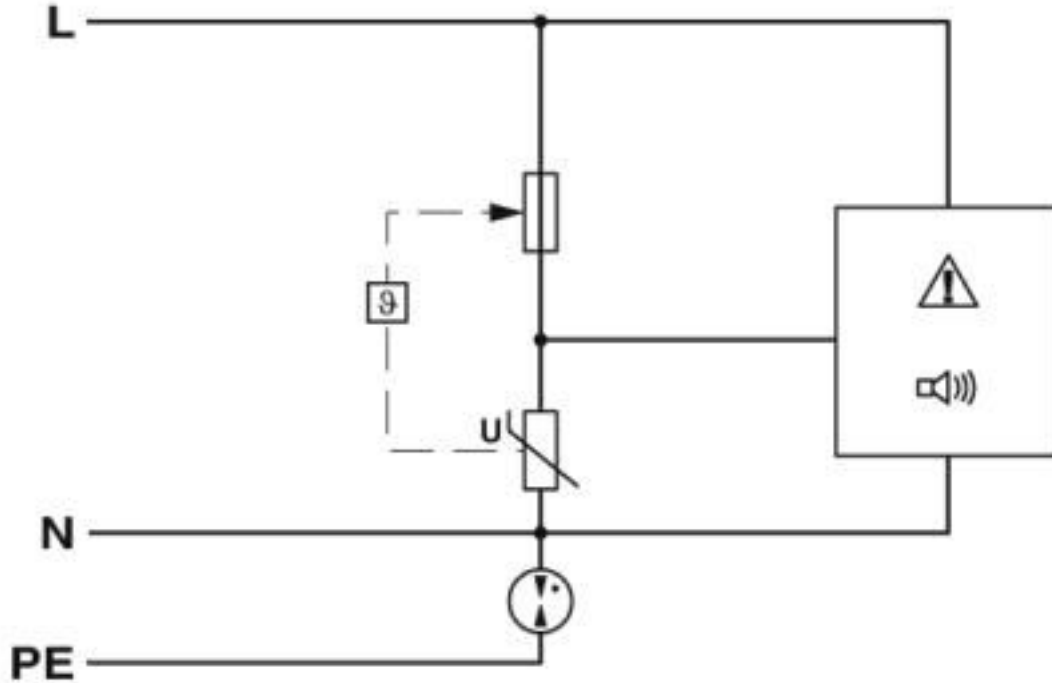
Drawings

Dimensional drawing



Type 3 surge protection device - BLT-SKT-230-A - 1038842

Circuit diagram



Classifications

eCl@ss

eCl@ss 10.0.1	27130806
eCl@ss 6.0	27130800
eCl@ss 7.0	27130806
eCl@ss 8.0	27130806
eCl@ss 9.0	27130806

ETIM

ETIM 5.0	EC000942
ETIM 6.0	EC000942
ETIM 7.0	EC000942

Accessories

Accessories

Marker pen

Type 3 surge protection device - BLT-SKT-230-A - 1038842

Accessories

Marker pen - X-PEN 0,35 - 0811228



Marker pen without ink cartridge, for manual labeling of markers, labeling extremely wipe-proof, line thickness 0.35 mm