

## Type 3 surge protection device - BLT-T3-230-A - 1038841

Please be informed that the data shown in this PDF Document is generated from our Online Catalog. Please find the complete data in the user's documentation. Our General Terms of Use for Downloads are valid (<http://phoenixcontact.com/download>)




Type 3 surge protection for universal installation in installation boxes, sill-type trunking, underfloor installations. Circuit with thermal monitoring, acoustic fault warning.

### Your advantages

- ✓ Can be used universally, thanks to its compact design
- ✓ Concealed surge protection, thanks to installation in the device socket
- ✓ Can be installed directly using pre-assembled and color-coded cables



### Key Commercial Data

Packing unit	1
GTIN	 4 055626 593203
GTIN	4055626593203
Custom tariff number	85363030

### Technical data

#### Dimensions

Height	31 mm
Width	12.5 mm
Depth	36 mm

#### Ambient conditions

Degree of protection	IP20 (Installed)
Ambient temperature (operation)	-20 °C ... 70 °C
Ambient temperature (storage/transport)	-20 °C ... 70 °C
Altitude	≤ 2000 m (amsl (above mean sea level))

# Type 3 surge protection device - BLT-T3-230-A - 1038841

## Technical data

### Ambient conditions

Permissible humidity (operation)	5 % ... 95 %
----------------------------------	--------------

### General

EN type	T3
IEC power supply system	TN-S
	TT
Number of ports	One
Mode of protection	L-N
	L-PE
	N-PE
Mounting type	in device sockets and conductor routing systems made of insulating material
Color	light grey RAL 7035
Housing material	PA 6.6-FR
Degree of pollution	2
Flammability rating according to UL 94	V-0
Type	Socket mounting module
Number of positions	2
Surge protection fault message	Acoustic

### Protective circuit

Nominal voltage $U_N$	230 V AC (TN-S)
	230 V AC (TT - only in use with RCD)
Nominal frequency $f_N$	50 Hz (60 Hz)
Maximum continuous voltage $U_C$	255 V AC
Residual current $I_{PE}$	$\leq 5 \mu A$
Reference test voltage $U_{REF}$	255 V AC
Max. discharge current $I_{max} (8/20) \mu s$	4 kA
Combination wave $U_{OC}$	6 kV
Voltage protection level $U_p$	$\leq 1.5 kV$
TOV behavior at $U_T$ (L-N)	440 V AC (5 s / withstand mode)
	440 V AC (120 min / withstand mode)
TOV behavior at $U_T$ (L-PE)	440 V AC (5 s / withstand mode)
	440 V AC (120 min / withstand mode)
	1455 V AC (200 ms / safe failure mode)
TOV behavior at $U_T$ (N-PE)	1200 V AC (200 ms / safe failure mode)
Response time $t_A$ (L-N)	$\leq 25 ns$
Response time $t_A$ (L-PE)	$\leq 100 ns$

# Type 3 surge protection device - BLT-T3-230-A - 1038841

## Technical data

### Protective circuit

Response time $t_A$ (N-PE)	$\leq 100$ ns
Max. required back-up fuse	16 A (MCB B)
Short-circuit current rating $I_{SCCR}$	1.5 kA AC

### Connection data

Connection method	Single wires
-------------------	--------------

### Standards and Regulations

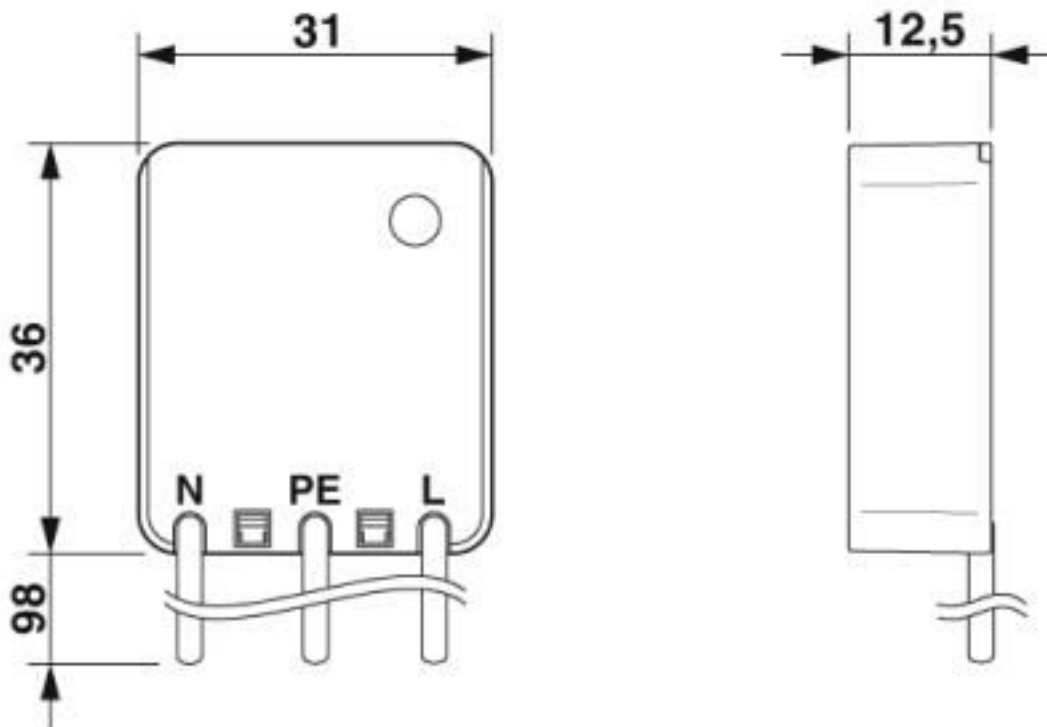
Standards/specifications	IEC 61643-11 2011
	EN 61643-11 2012

### Environmental Product Compliance

REACH SVHC	Lead 7439-92-1
China RoHS	Environmentally Friendly Use Period = 50 years
	For details about hazardous substances go to tab "Downloads", Category "Manufacturer's declaration"

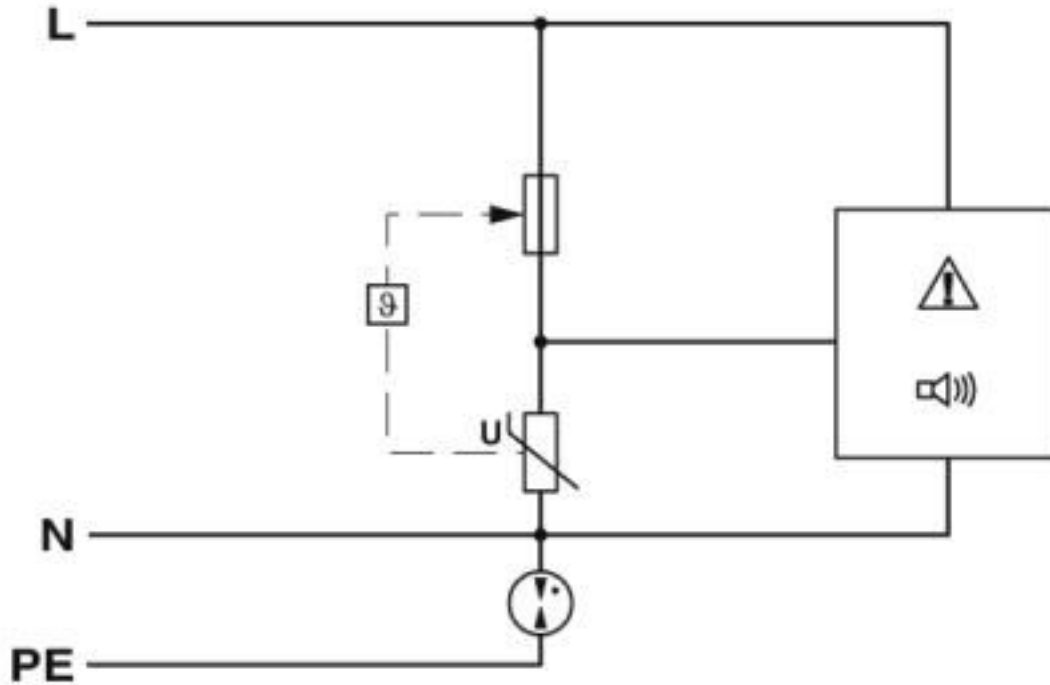
## Drawings

Dimensional drawing



# Type 3 surge protection device - BLT-T3-230-A - 1038841

Circuit diagram



## Classifications

eCl@ss

eCl@ss 10.0.1	27130806
eCl@ss 6.0	27130800
eCl@ss 7.0	27130806
eCl@ss 8.0	27130806
eCl@ss 9.0	27130806

ETIM

ETIM 5.0	EC000942
ETIM 6.0	EC000942
ETIM 7.0	EC000942

## Accessories

Accessories

Marker pen

## Type 3 surge protection device - BLT-T3-230-A - 1038841

### Accessories

Marker pen - X-PEN 0,35 - 0811228



Marker pen without ink cartridge, for manual labeling of markers, labeling extremely wipe-proof, line thickness 0.35 mm